

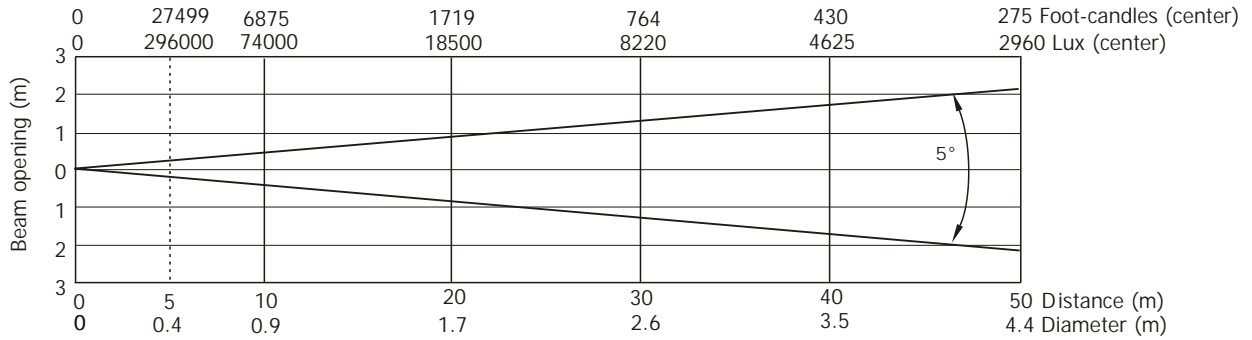
Robin BMFL WashBeam

Photometric Diagram

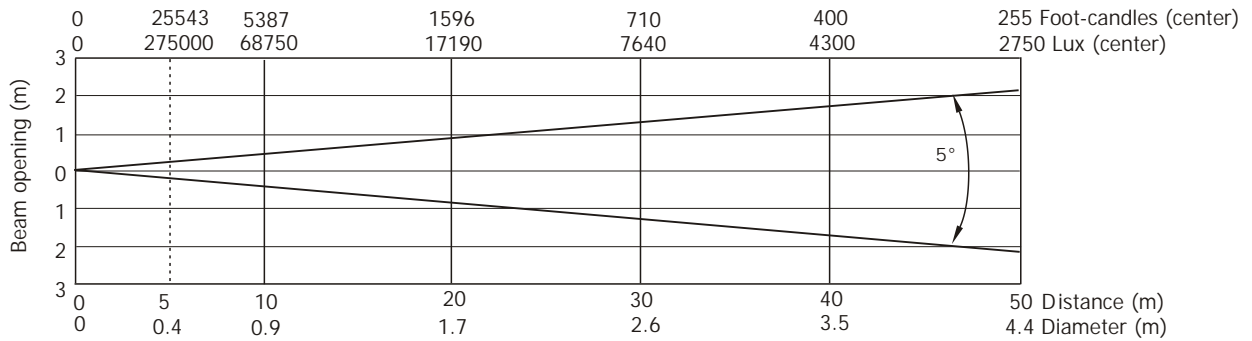
Lamp: Osram Lok-it! HTI 1700/PS

Min. Zoom

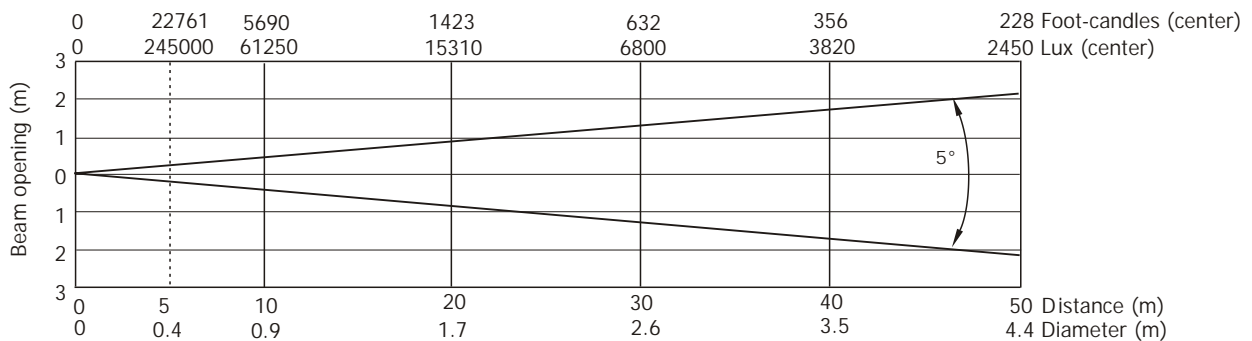
Lamp power=1700W
Total Output: 36700 lumens



Lamp power=1500W
Total Output: 34130 lumens



Quiet mode
Total Output: 30100 lumens

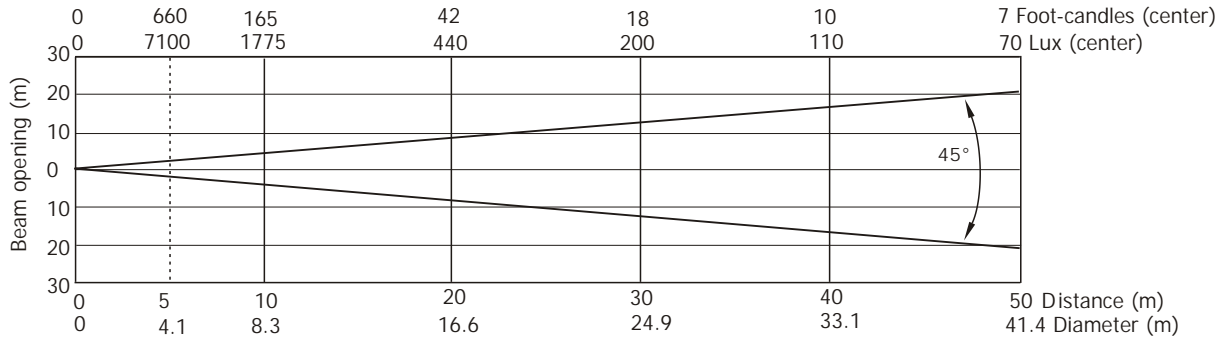


Robin BMFL WashBeam

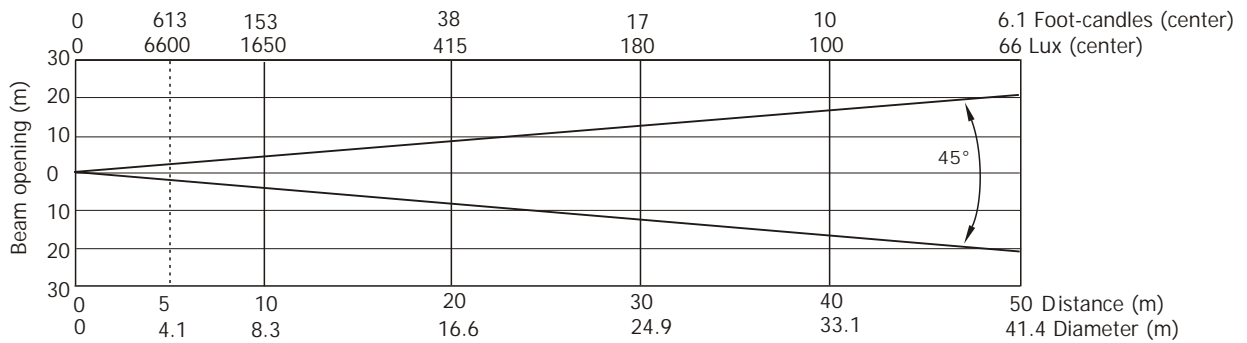
Photometric Diagram

Max. Zoom

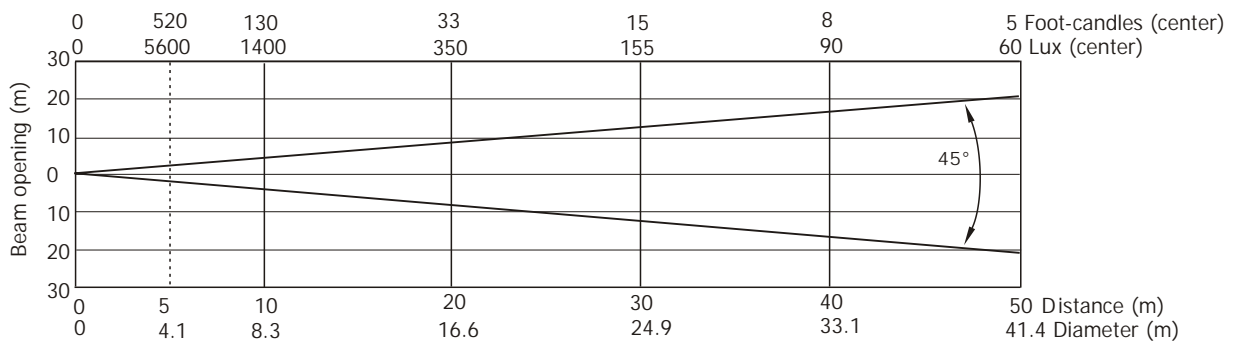
Lamp power=1700W
Total Output: 41000 lumens



Lamp power=1500W
Total Output: 38130 lumens



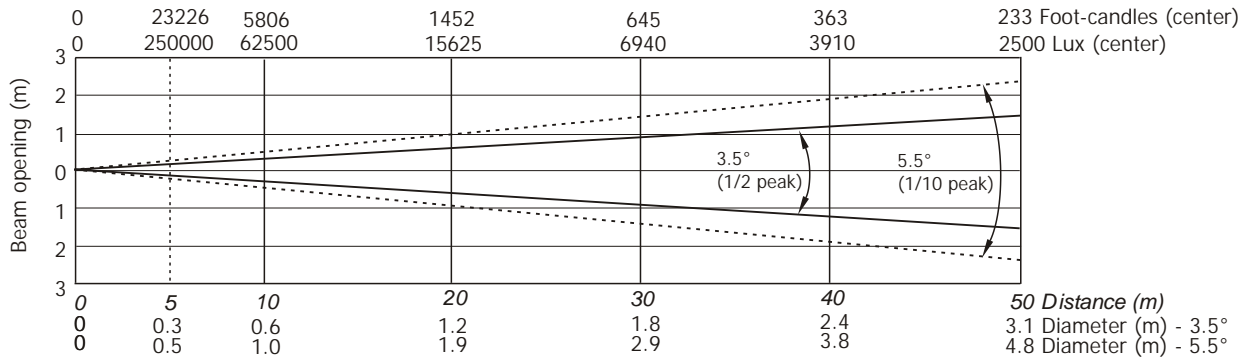
Quiet mode
Total Output: 33620 lumens



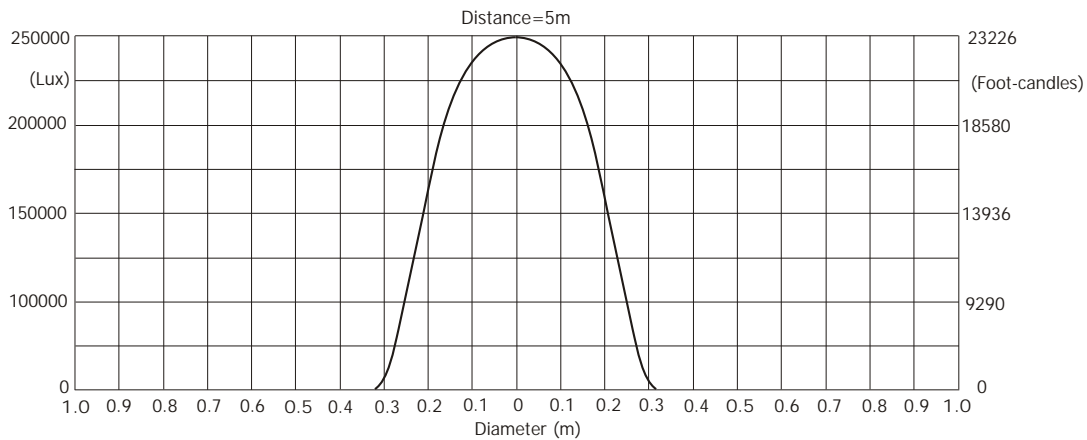
Robin BMFL WashBeam

Photometric Diagram Min. Zoom with Light Frost

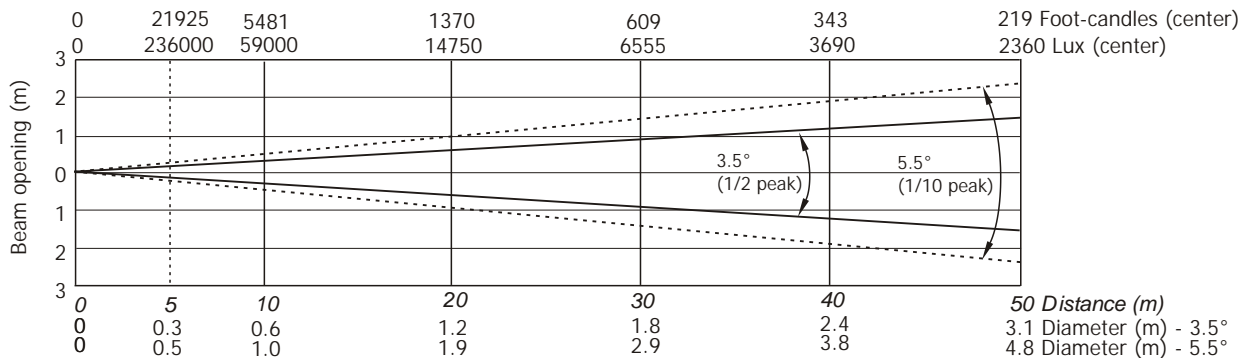
Lamp power=1700W



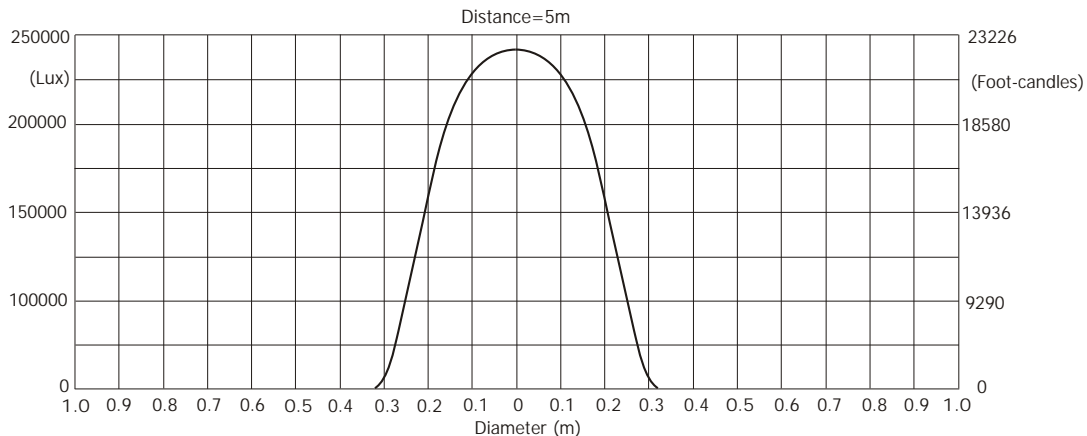
Illuminance distribution



Lamp power=1500W



Illuminance distribution

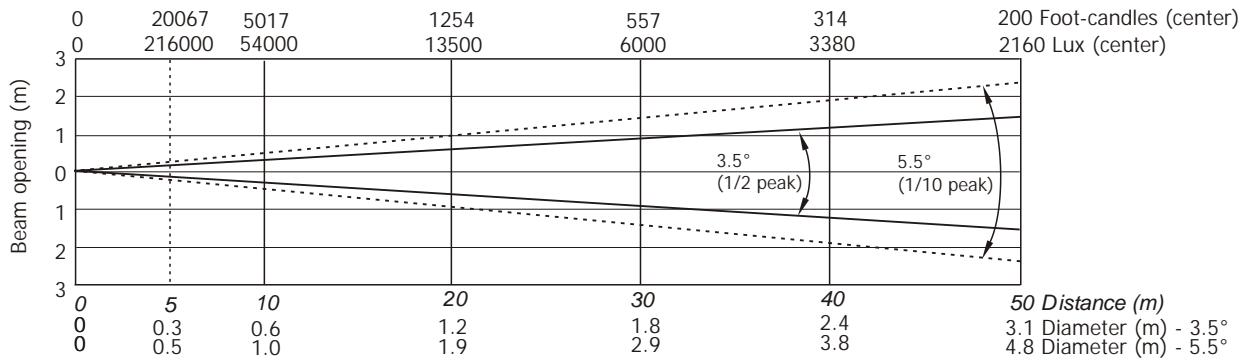


Robin BMFL WashBeam

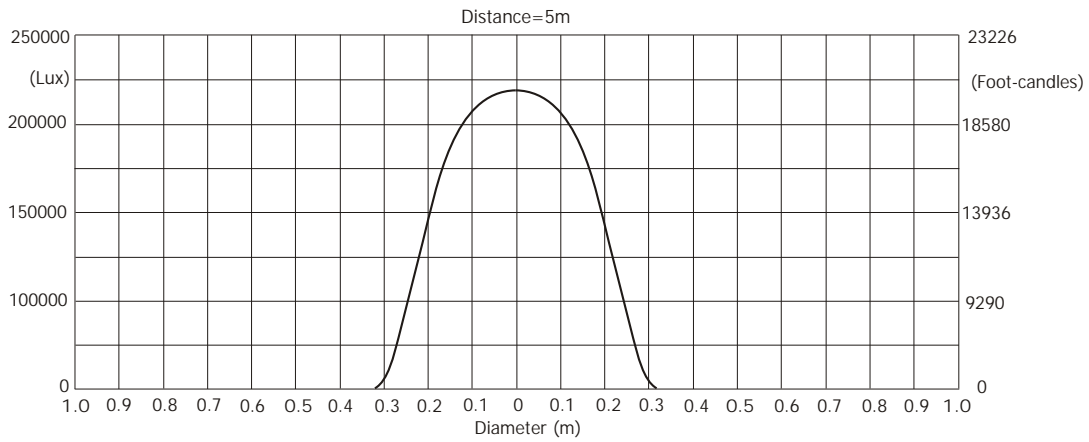
Photometric Diagram

Min. Zoom with Light Frost

Quiet mode



Illuminance distribution

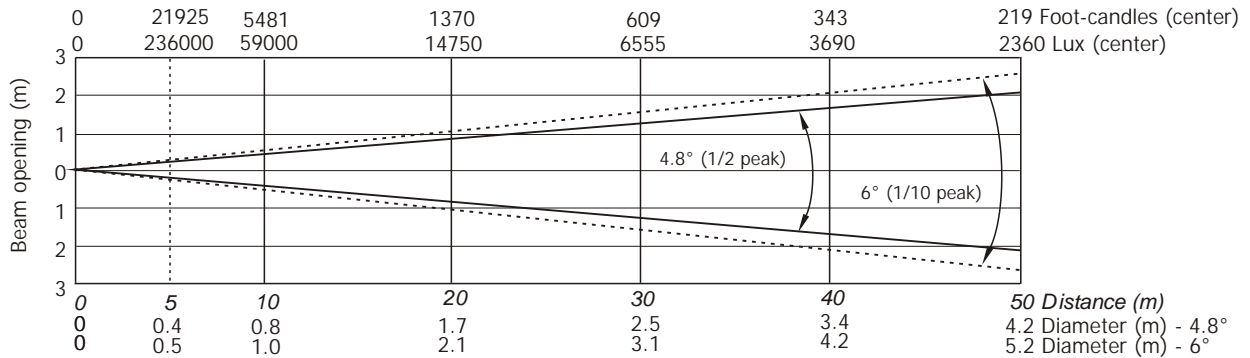


Robin BMFL WashBeam

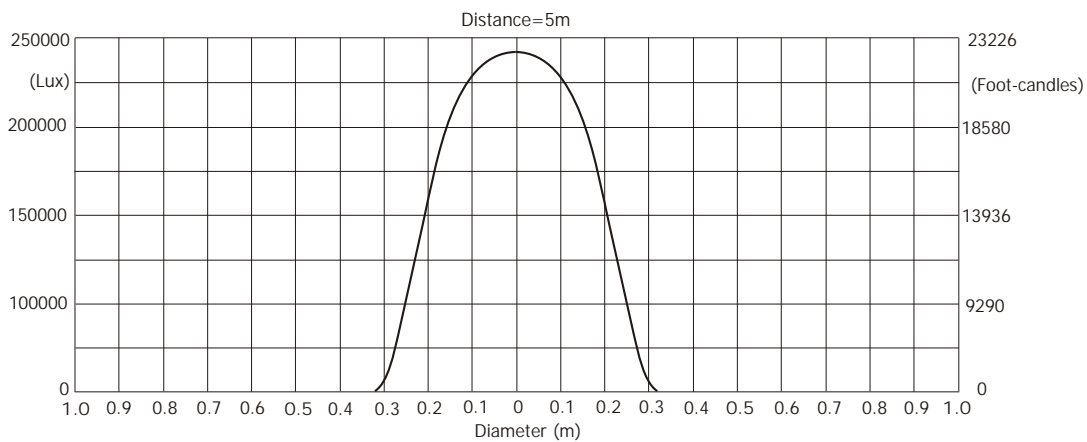
Photometric Diagram

Min. Zoom with Medium Frost

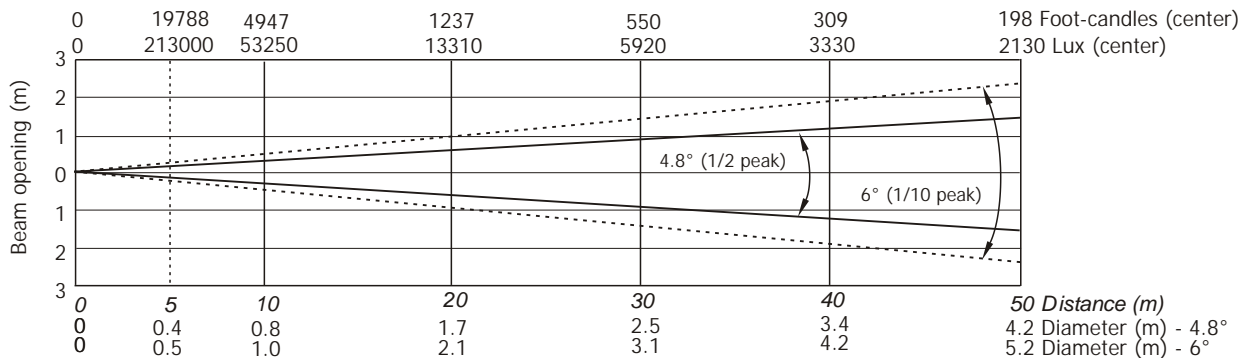
Lamp power=1700W



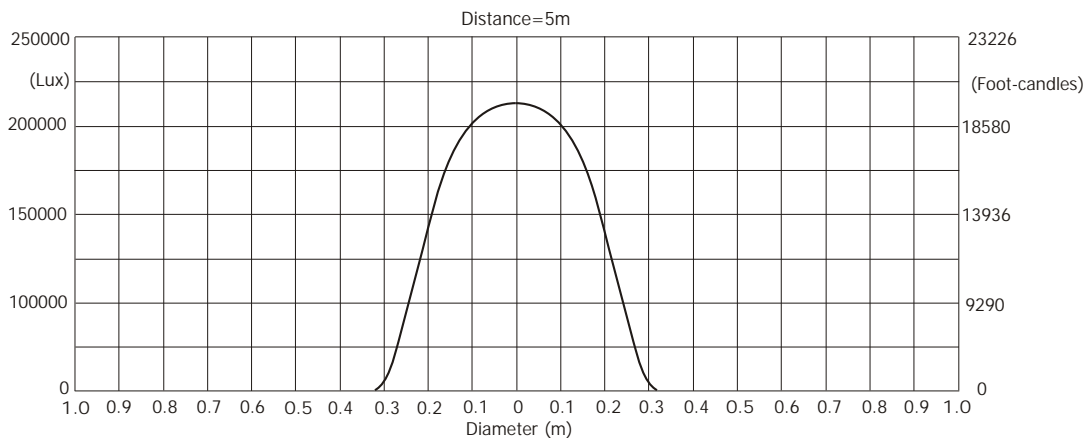
Illuminance distribution



Lamp power=1500W



Illuminance distribution

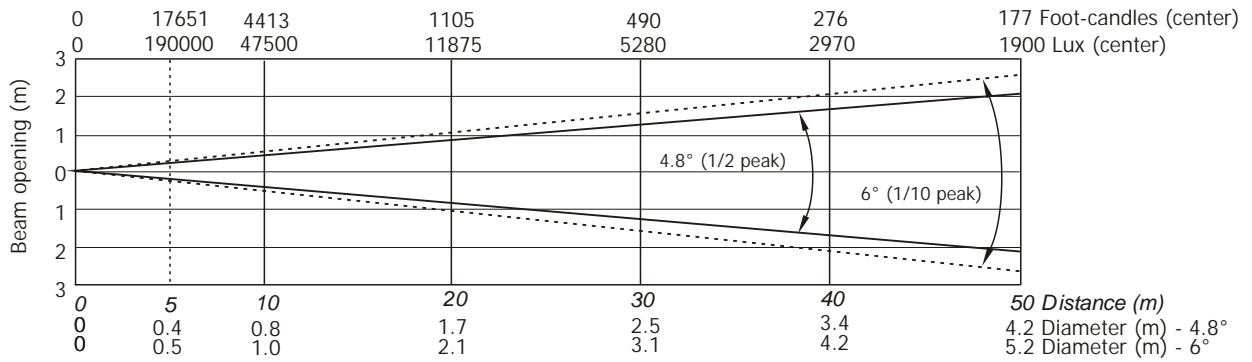


Robin BMFL WashBeam

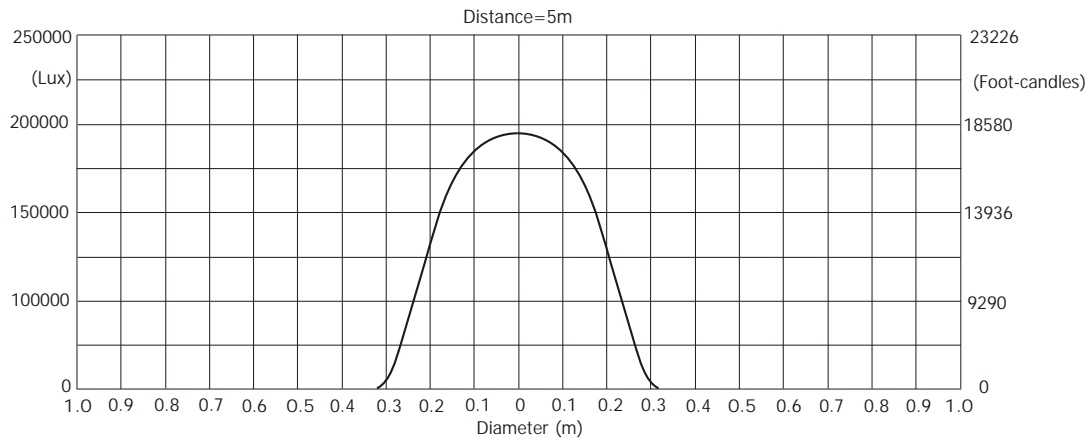
Photometric Diagram

Min. Zoom with Medium Frost

Quiet mode



Illuminance distribution

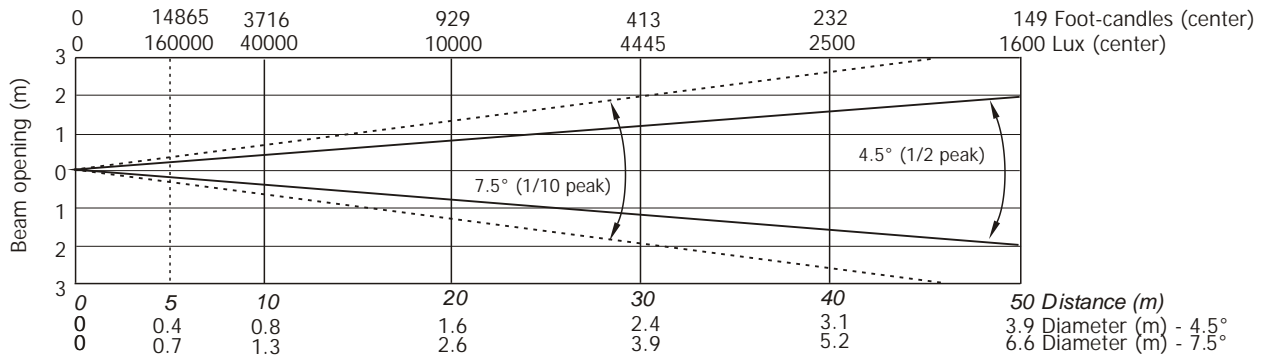


Robin BMFL WashBeam

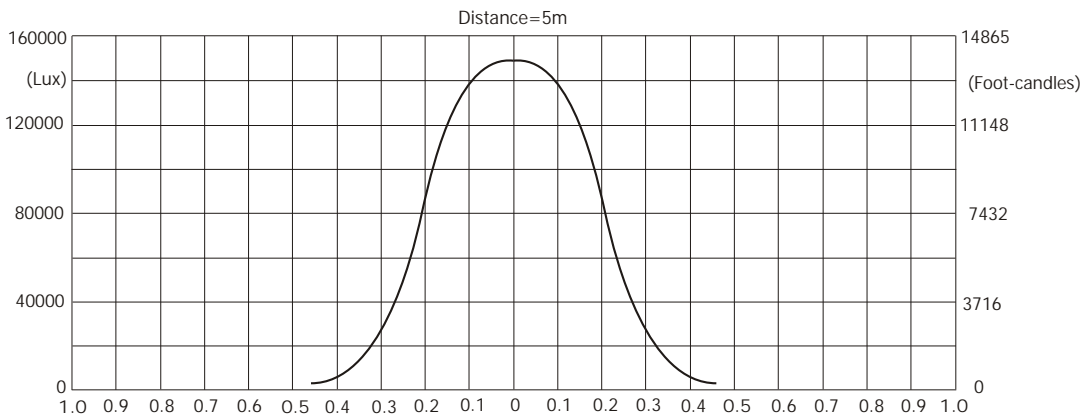
Photometric Diagram

Min. Zoom with Heavy Frost 10°

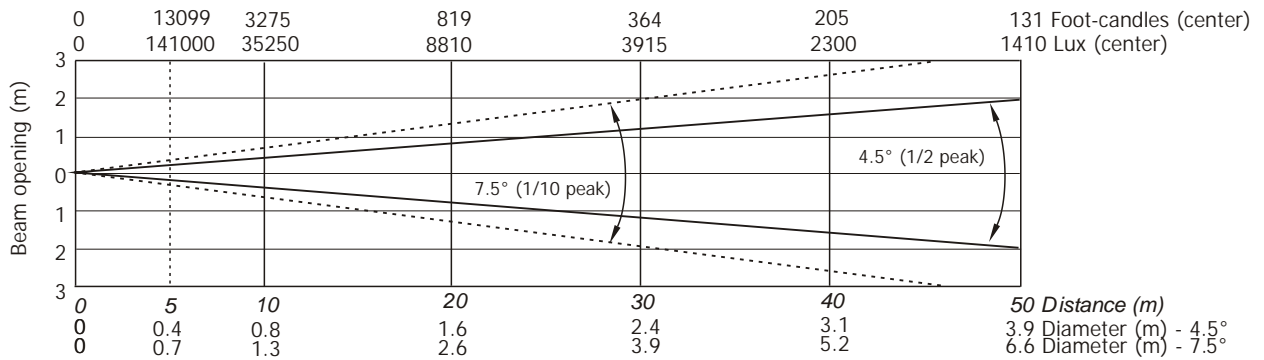
Lamp power=1700W



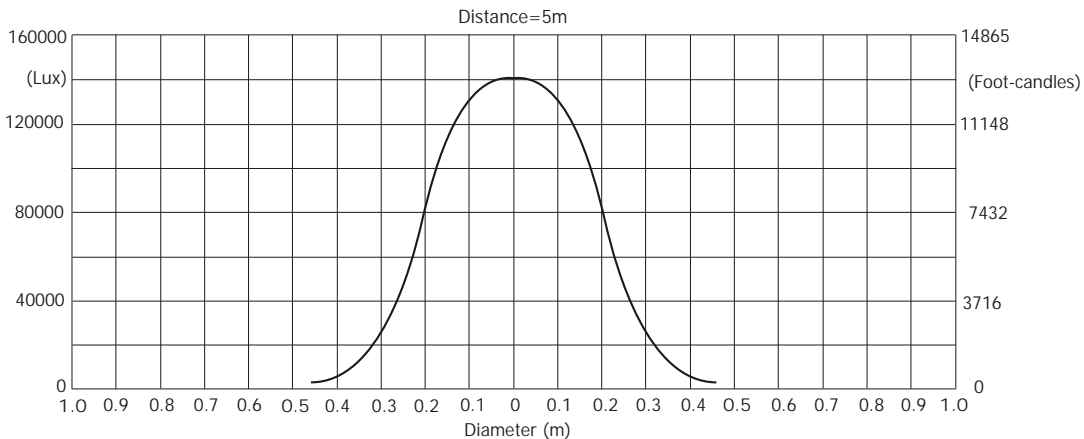
Illuminance distribution



Lamp power=1500W



Illuminance distribution

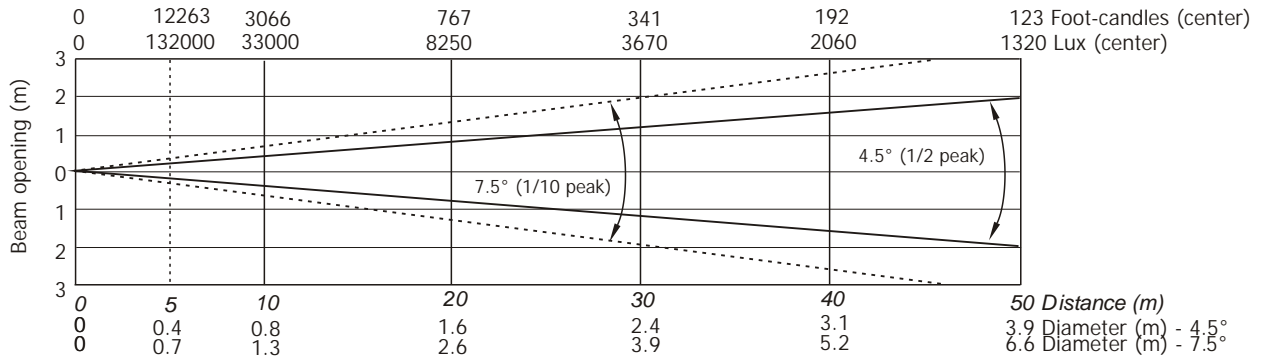


Robin BMFL WashBeam

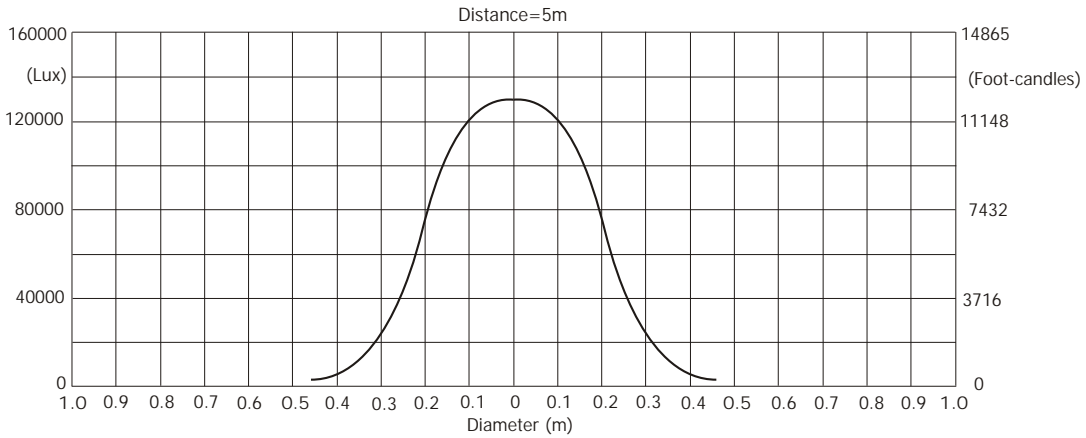
Photometric Diagram

Min. Zoom with Heavy Frost 10°

Quiet mode



Illuminance distribution

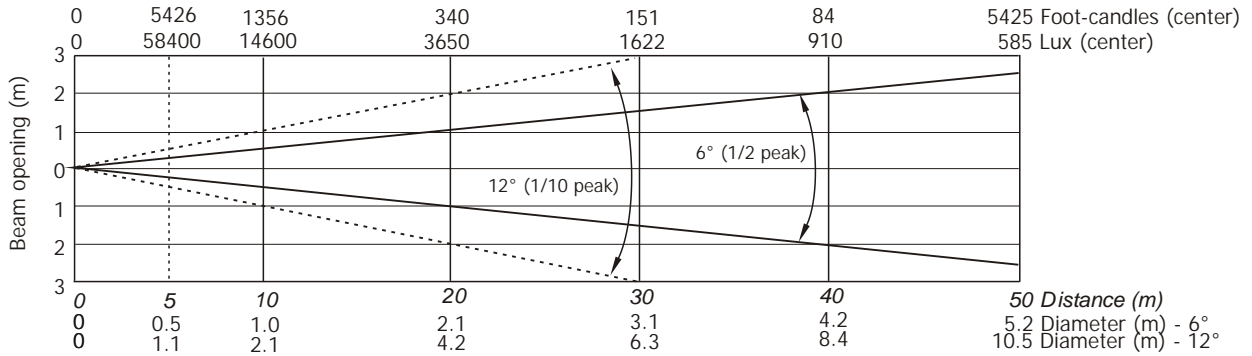


Robin BMFL WashBeam

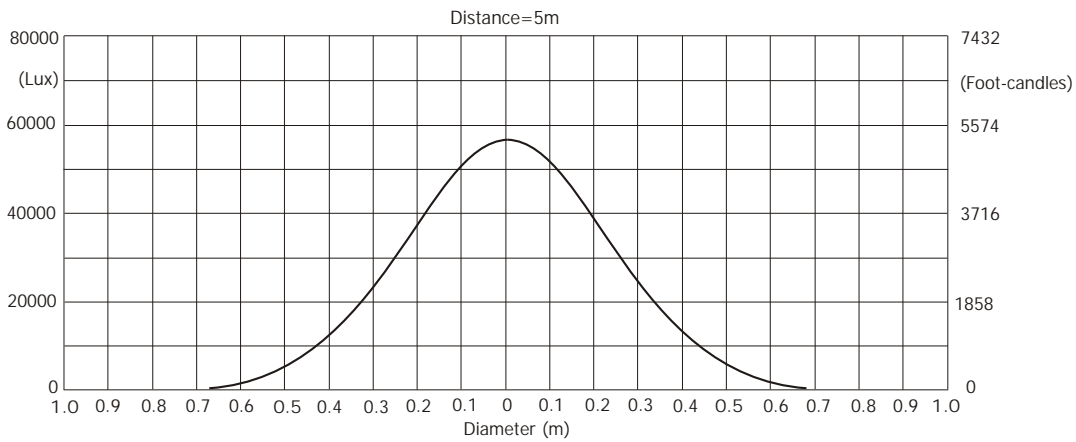
Photometric Diagram

Min. Zoom with Heavy Frost 20° (standard)

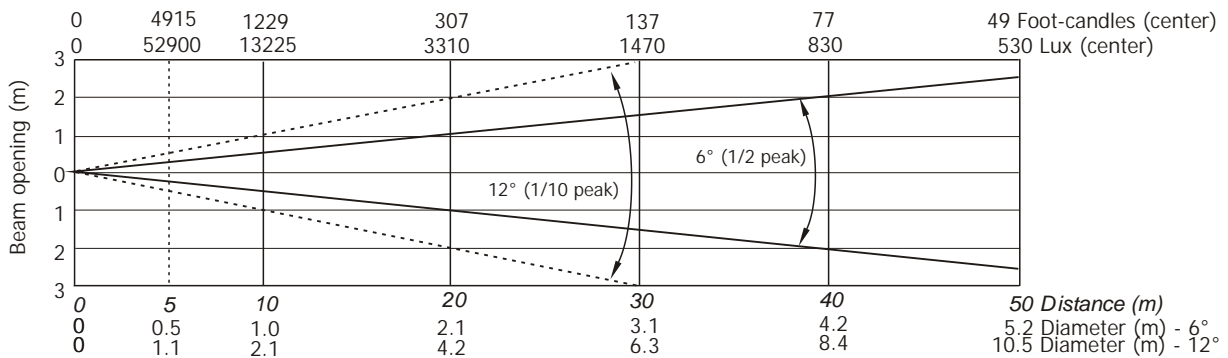
Lamp power=1700W



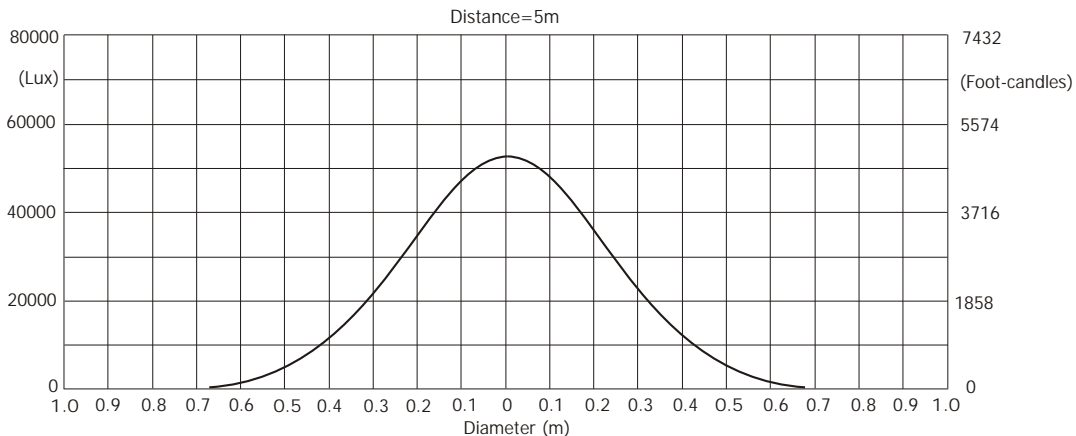
Illuminance distribution



Lamp power=1500W



Illuminance distribution

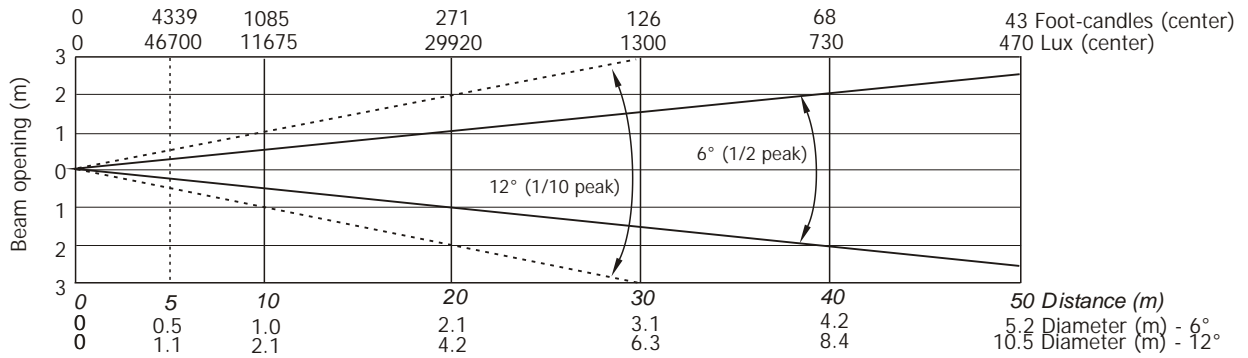


Robin BMFL WashBeam

Photometric Diagram

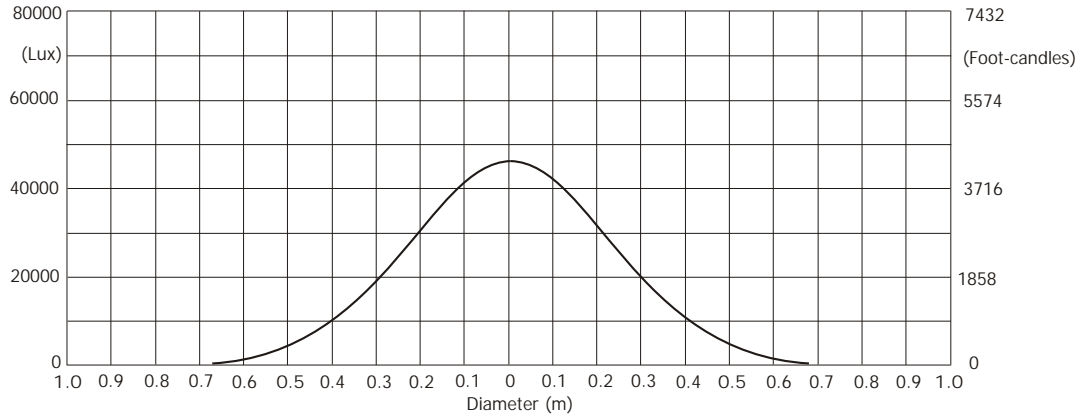
Min. Zoom with Heavy Frost 20° (standard)

Quiet mode



Illuminance distribution

Distance=5m

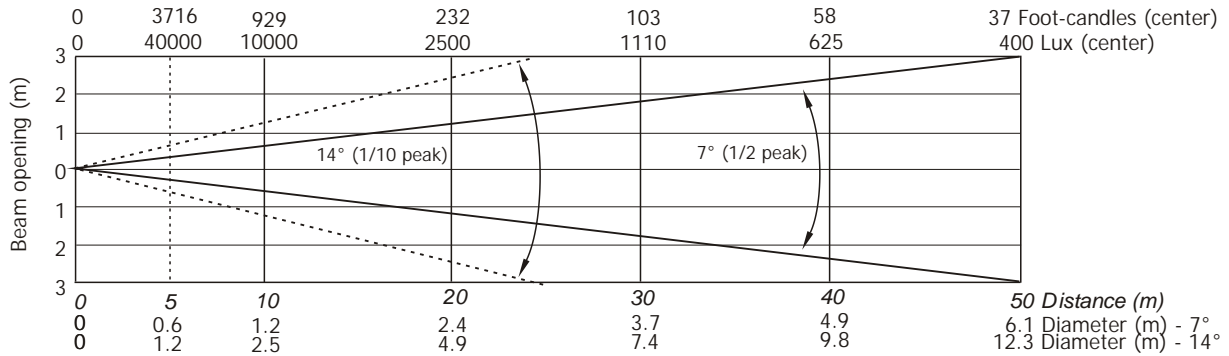


Robin BMFL WashBeam

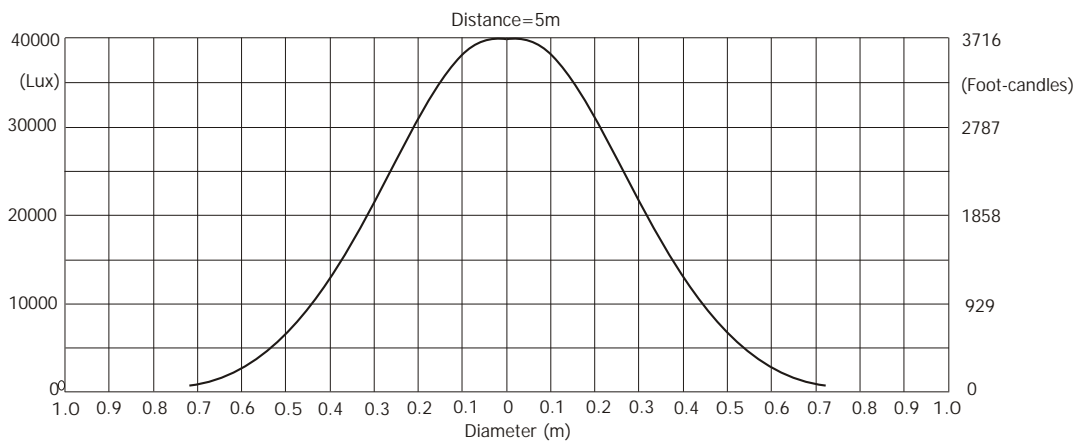
Photometric Diagram

Min. Zoom with Heavy Frost 30°

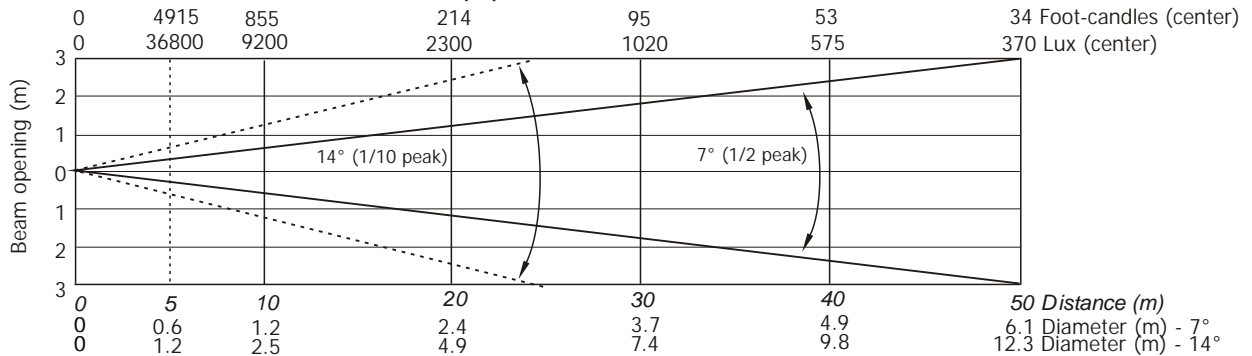
Lamp power=1700W



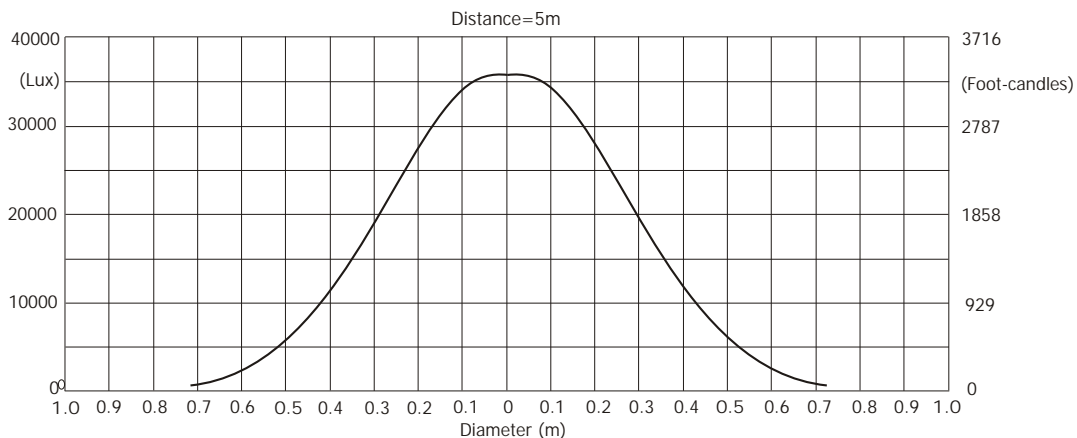
Illuminance distribution



Lamp power=1500W



Illuminance distribution

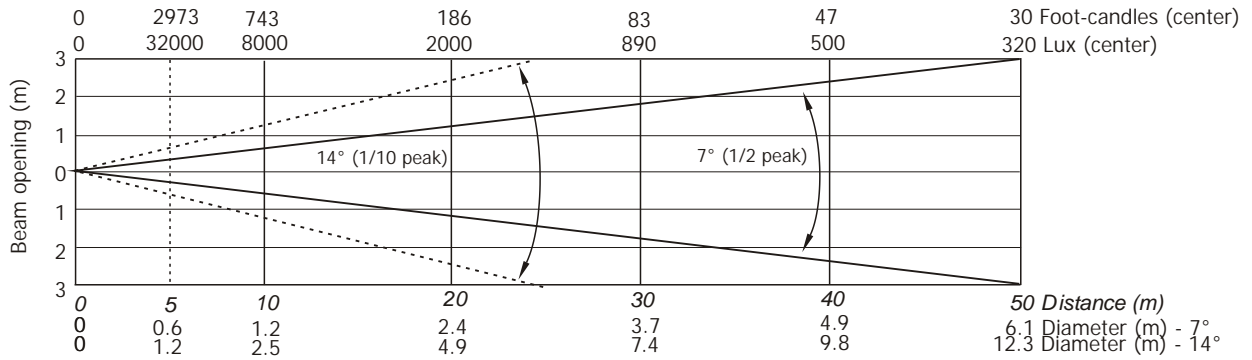


Robin BMFL WashBeam

Photometric Diagram

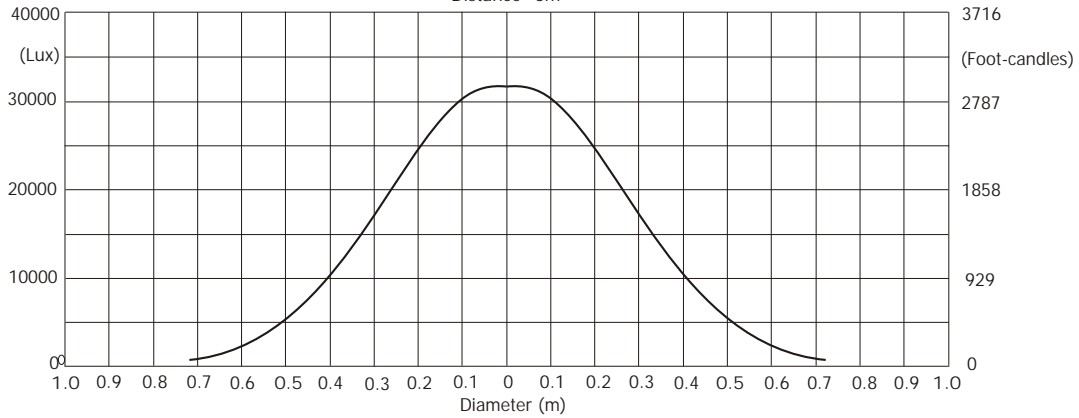
Min. Zoom with Heavy Frost 30°

Quiet mode



Illuminance distribution

Distance=5m

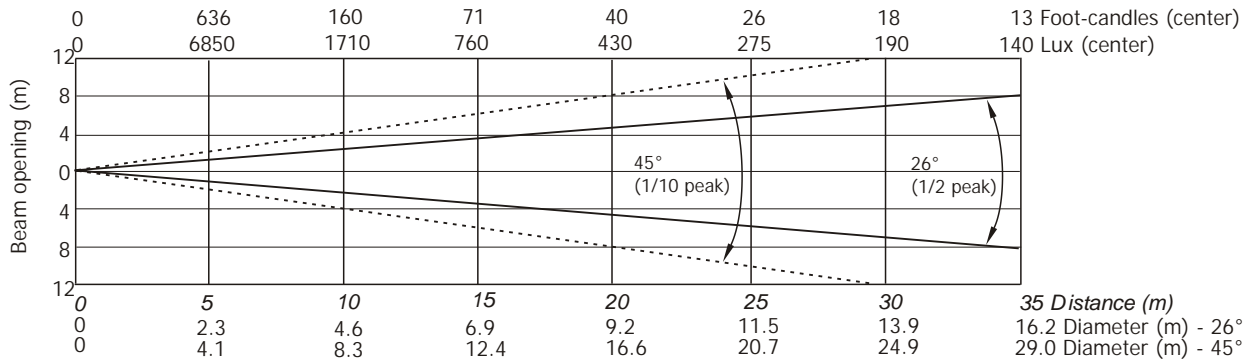


Robin BMFL WashBeam

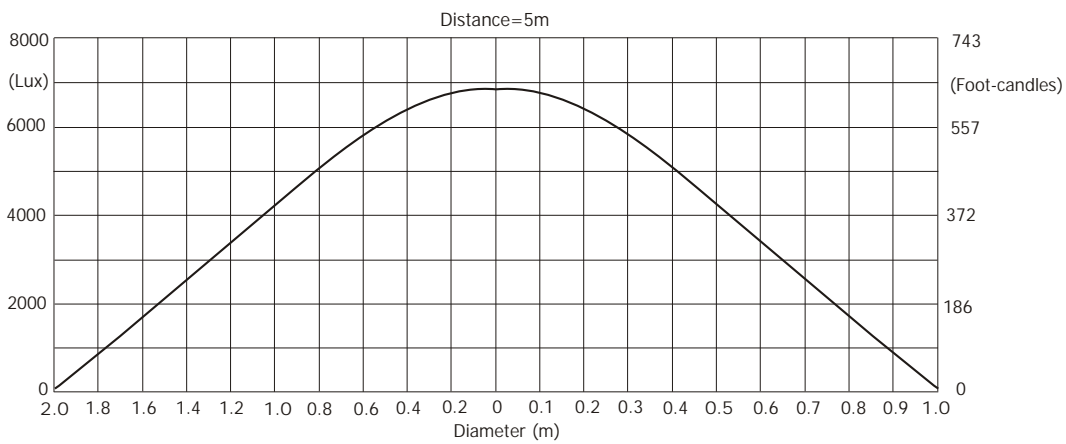
Photometric Diagram

Max. Zoom with Light Frost

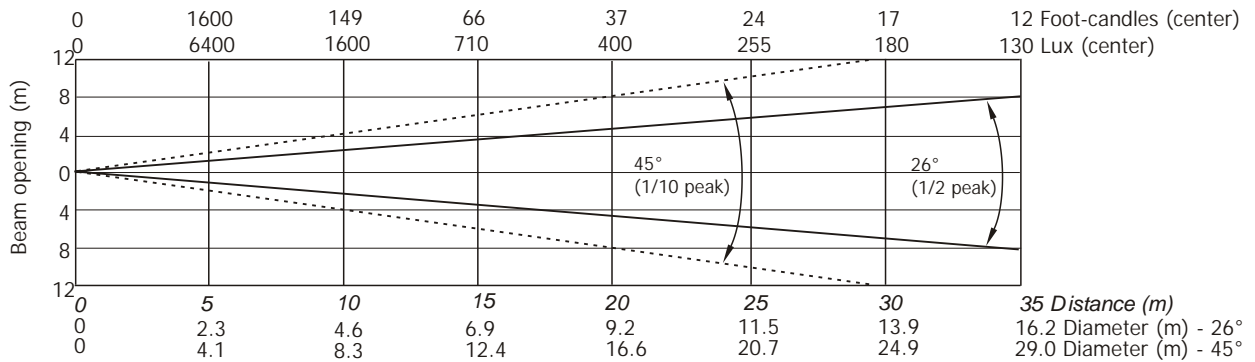
Lamp power=1700W



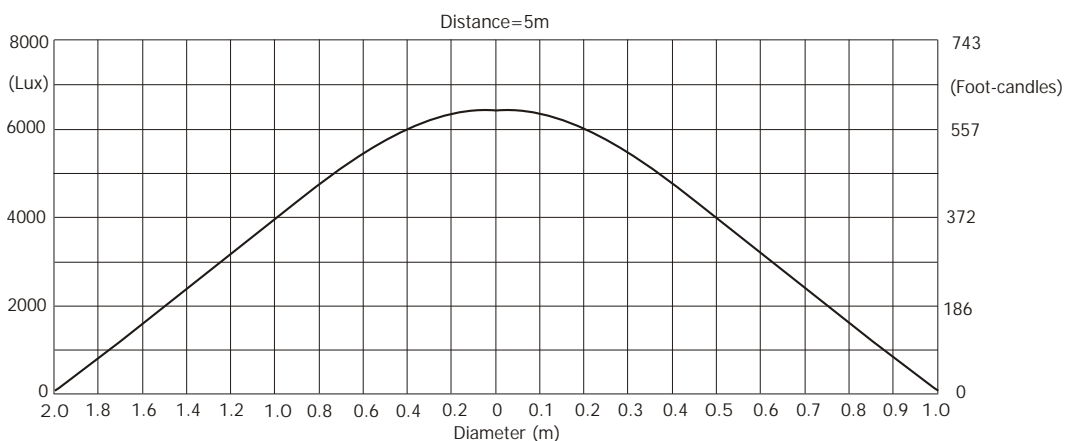
Illuminance distribution



Lamp power=1500W



Illuminance distribution

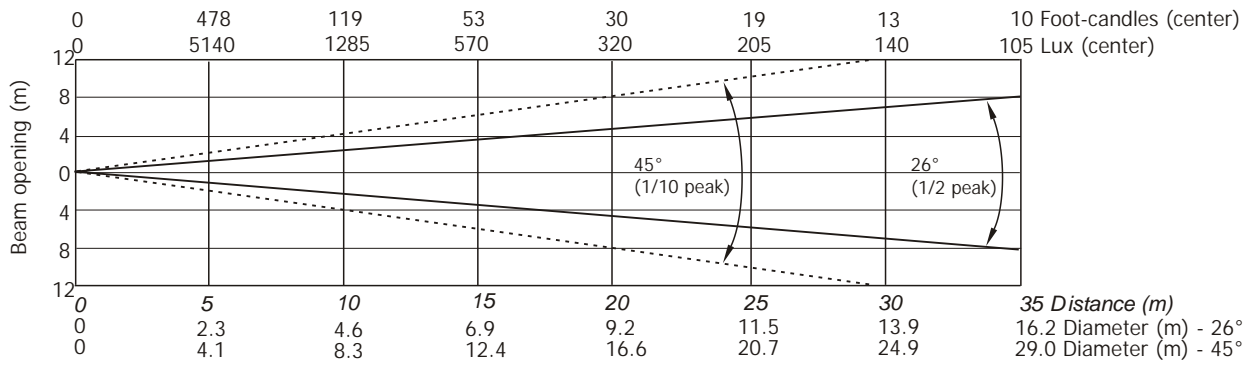


Robin BMFL WashBeam

Photometric Diagram

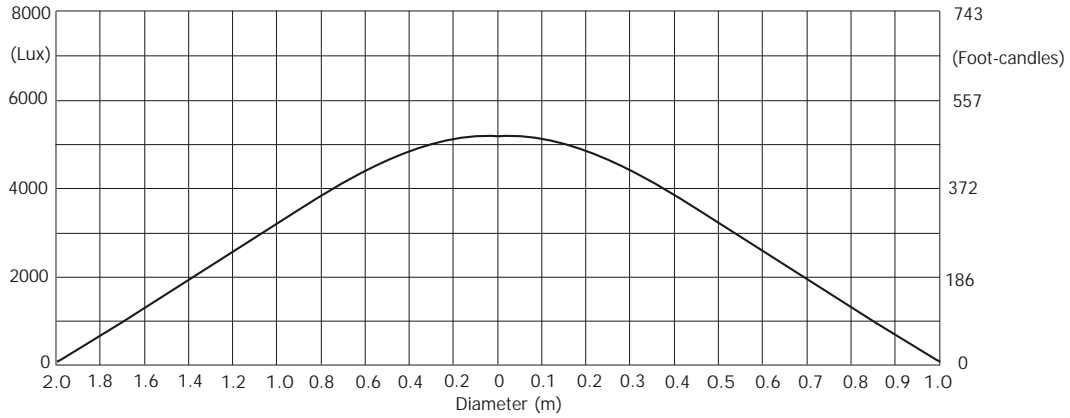
Max. Zoom with Light Frost

Quiet mode



Illuminance distribution

Distance=5m

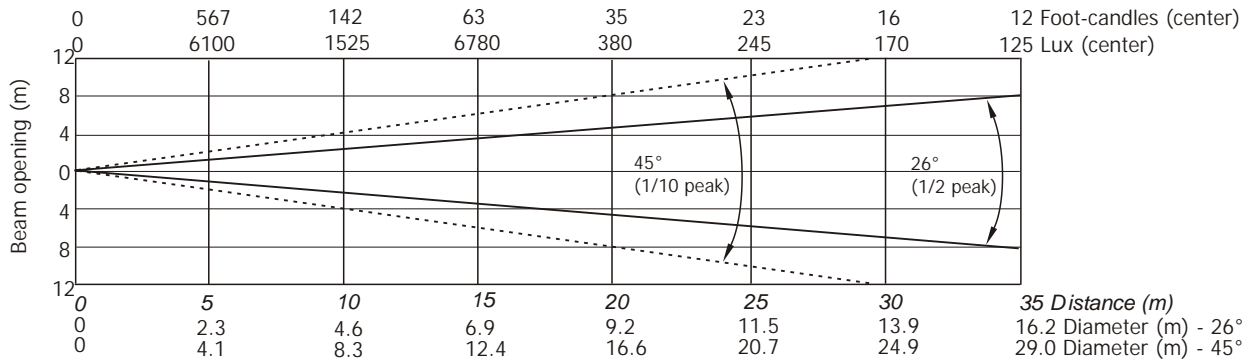


Robin BMFL WashBeam

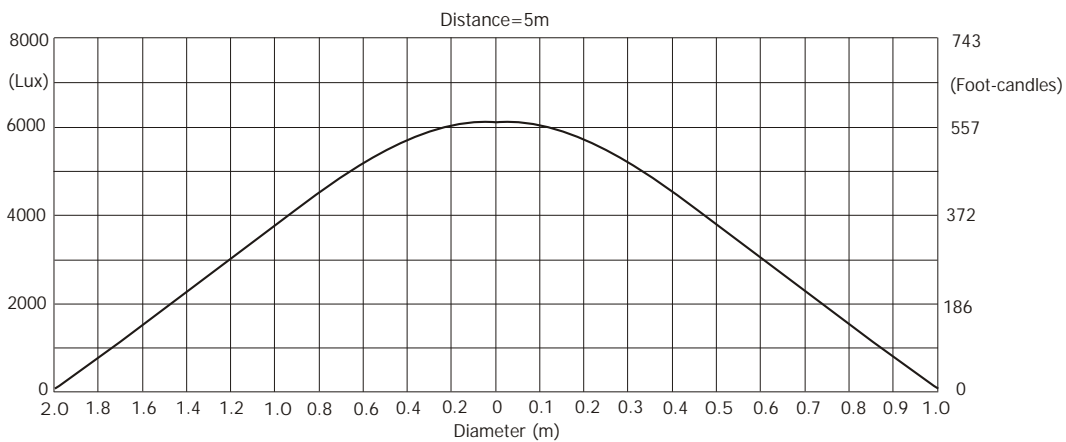
Photometric Diagram

Max. Zoom with Medium Frost

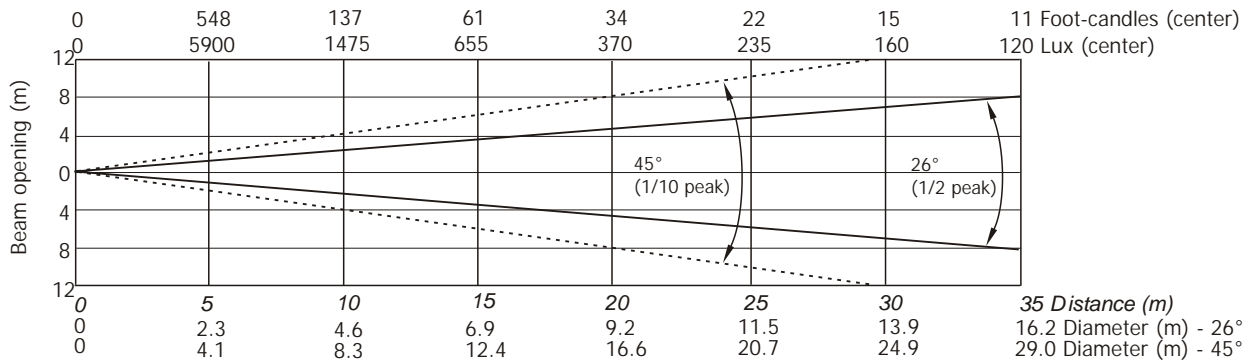
Lamp power=1700W



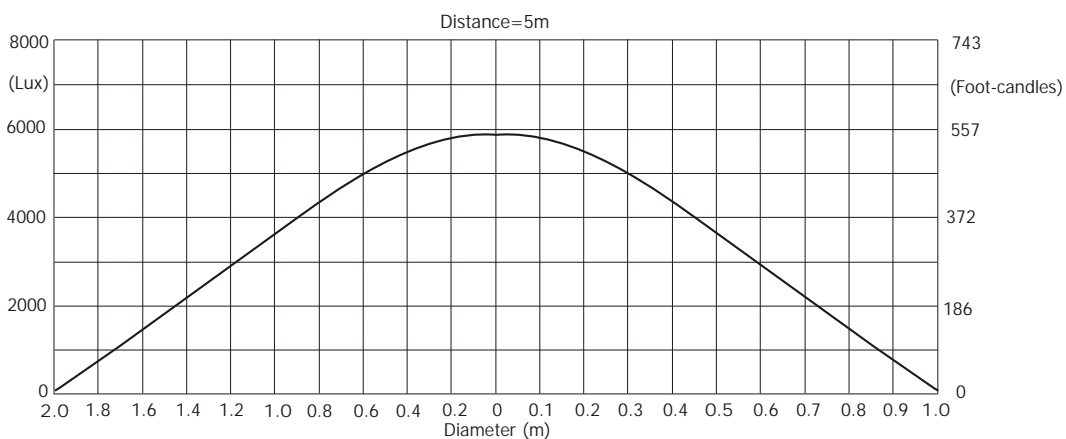
Illuminance distribution



Lamp power=1500W



Illuminance distribution

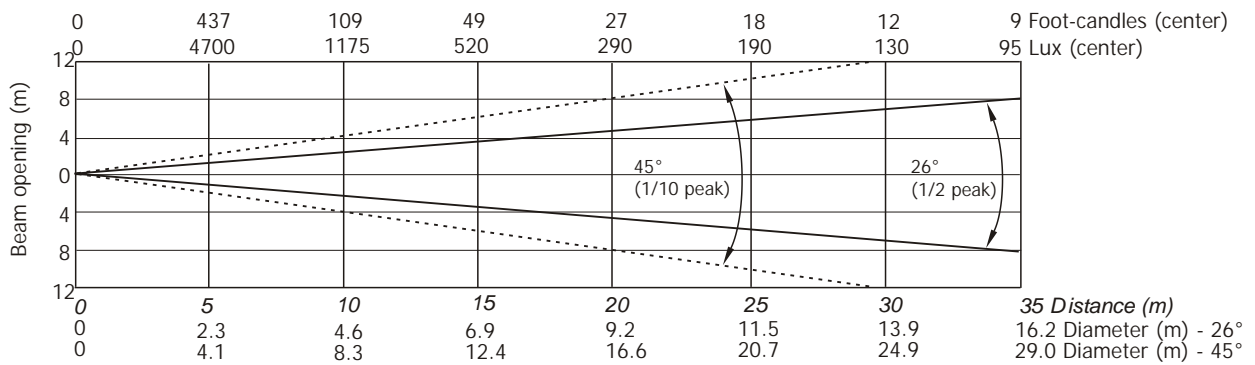


Robin BMFL WashBeam

Photometric Diagram

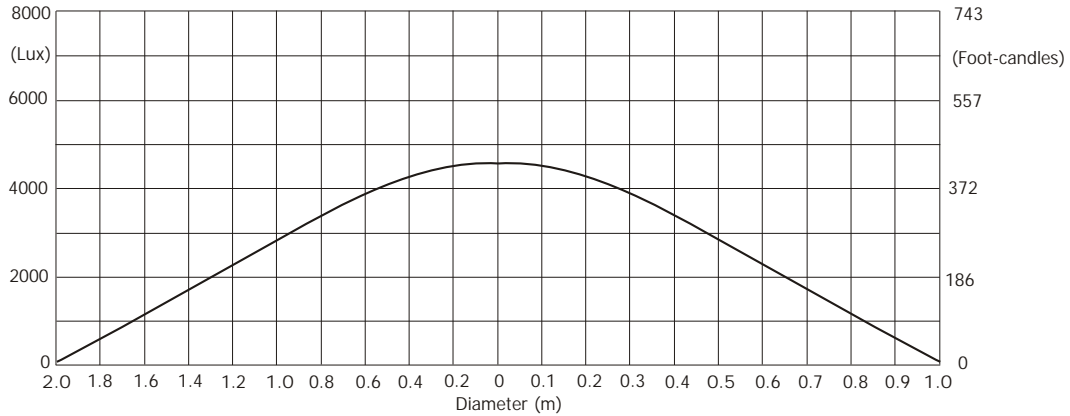
Max. Zoom with Medium Frost

Quiet mode



Illuminance distribution

Distance=5m

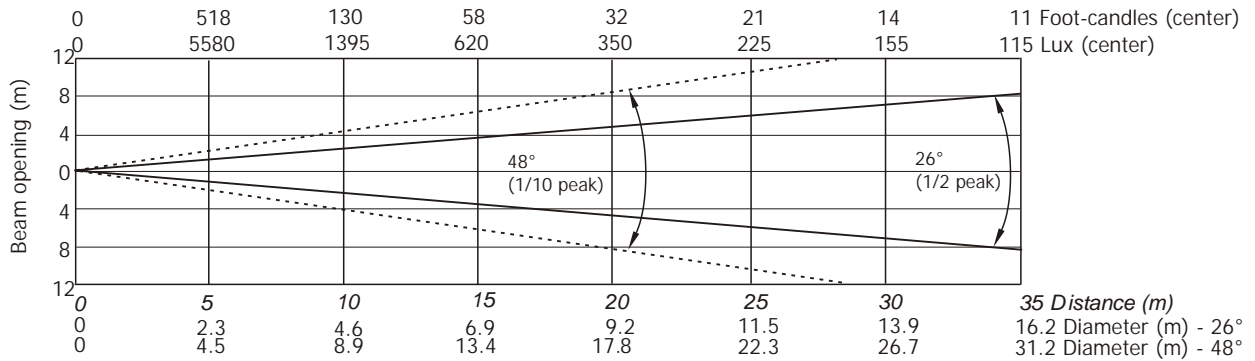


Robin BMFL WashBeam

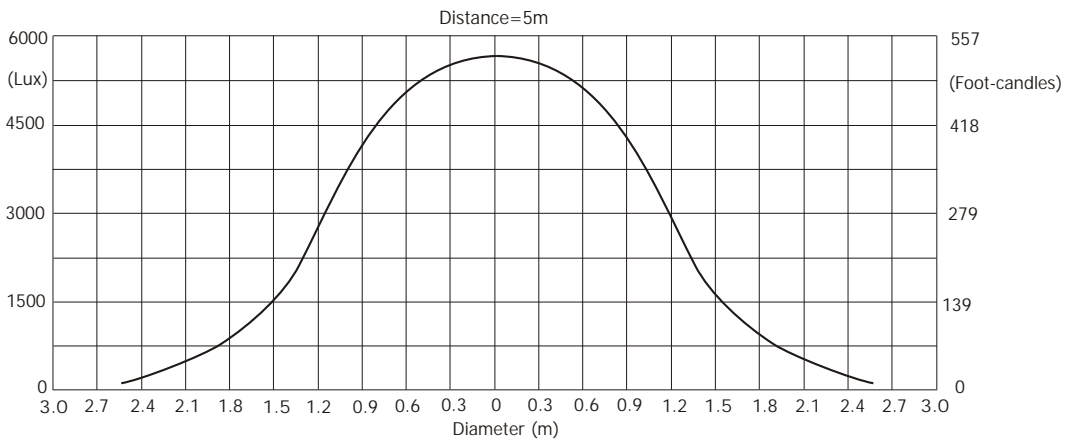
Photometric Diagram

Max. Zoom with Heavy Frost 10°

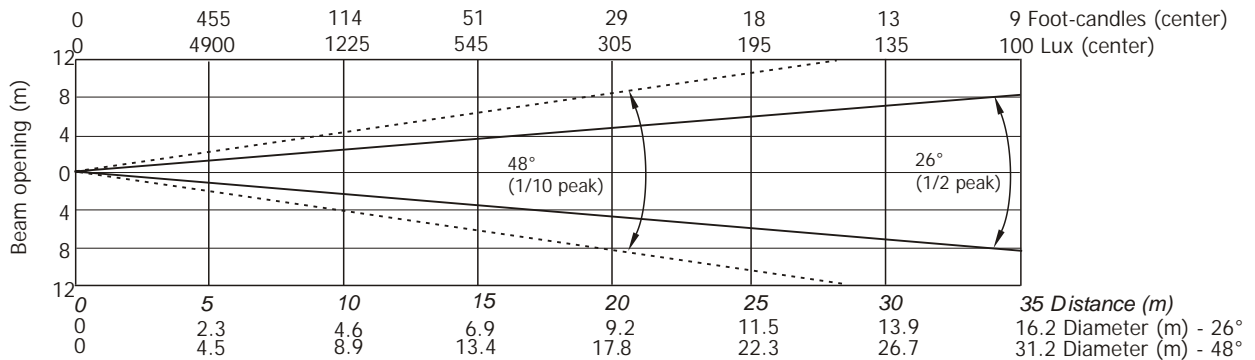
Lamp power=1700W



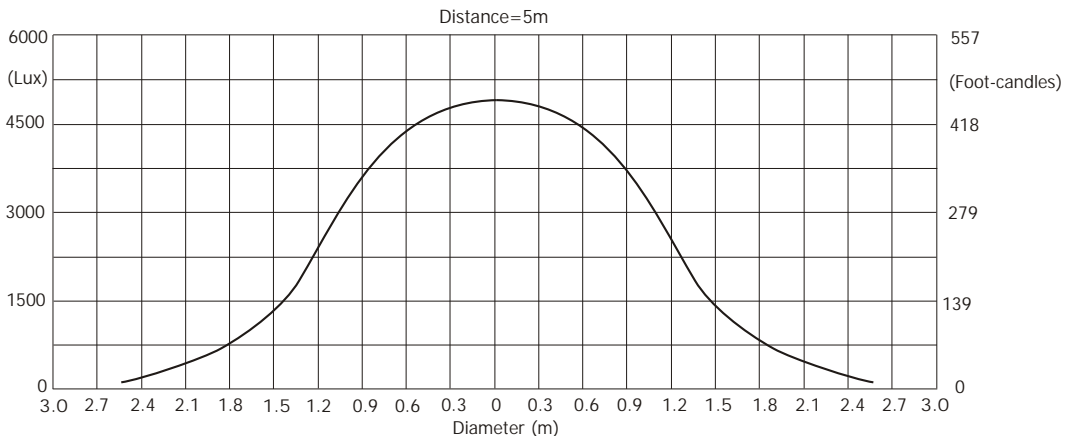
Illuminance distribution



Lamp power=1500W



Illuminance distribution

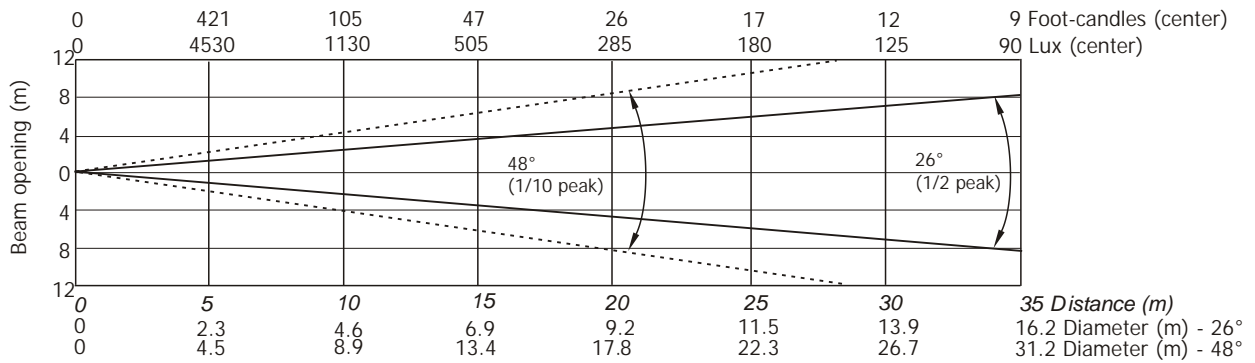


Robin BMFL WashBeam

Photometric Diagram

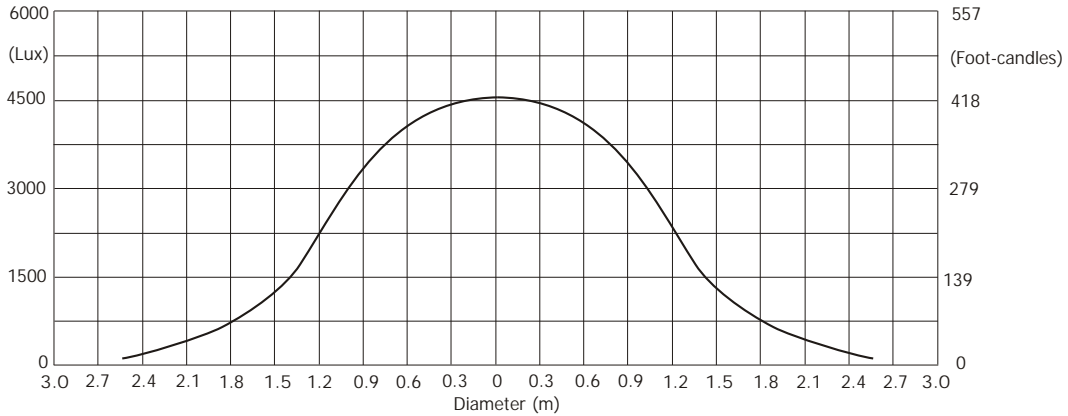
Max. Zoom with Heavy Frost 10°

Quiet mode



Illuminance distribution

Distance=5m

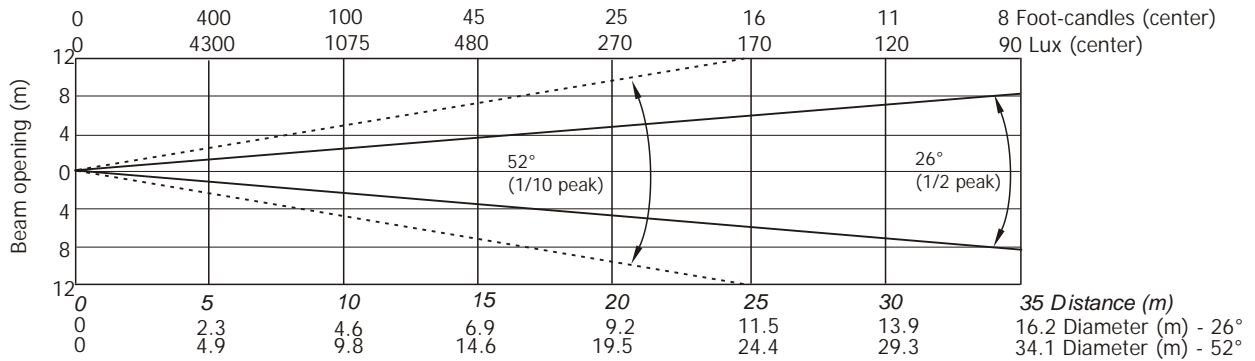


Robin BMFL WashBeam

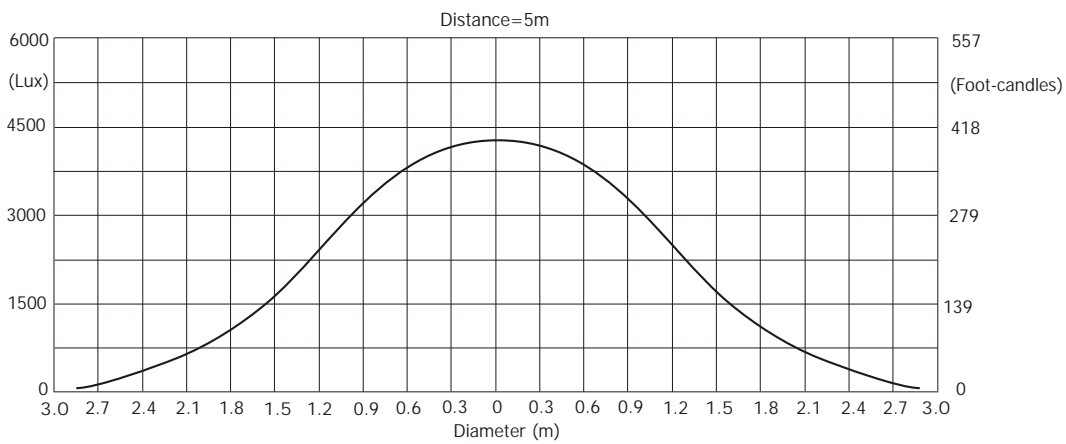
Photometric Diagram

Max. Zoom with Heavy Frost 20° (standard)

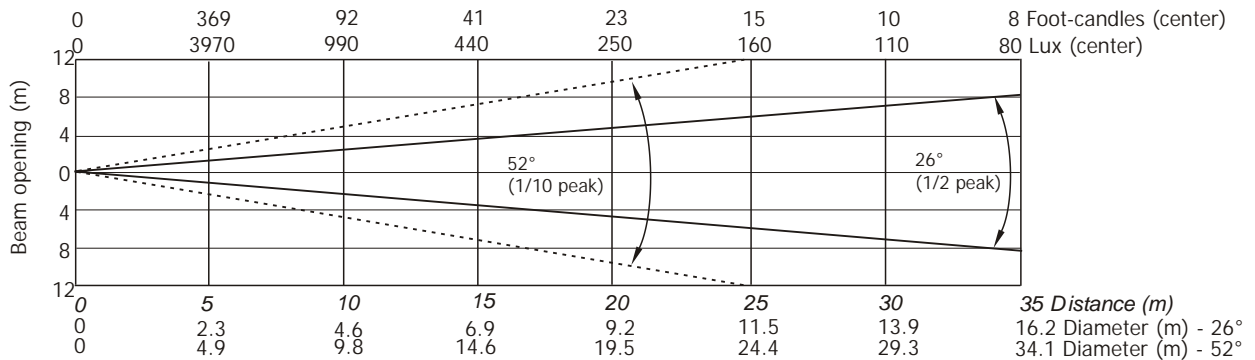
Lamp power=1700W



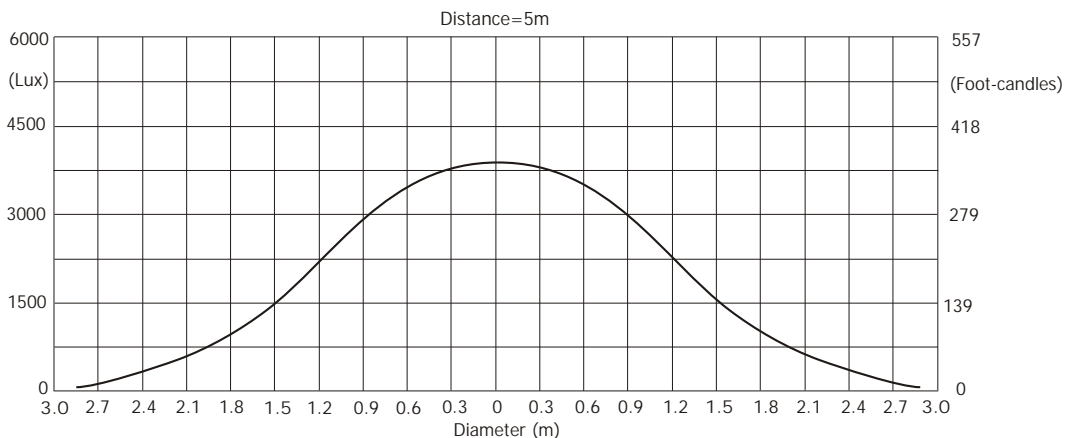
Illuminance distribution



Lamp power=1500W



Illuminance distribution

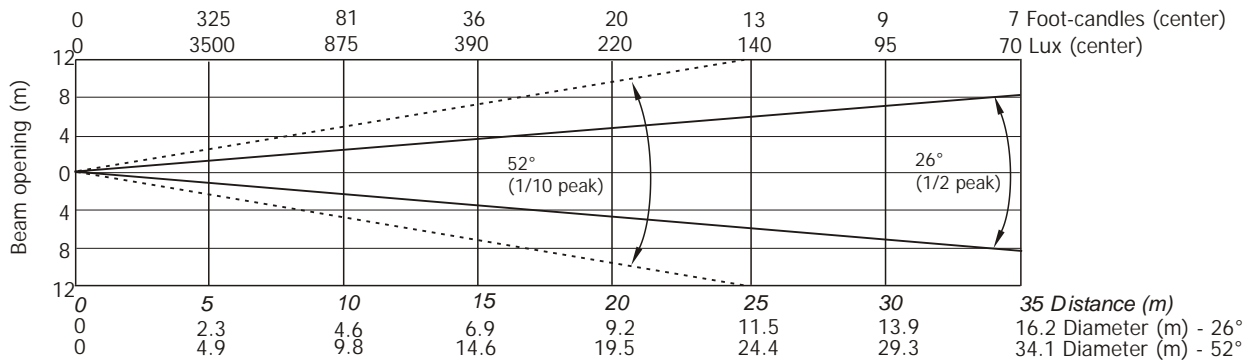


Robin BMFL WashBeam

Photometric Diagram

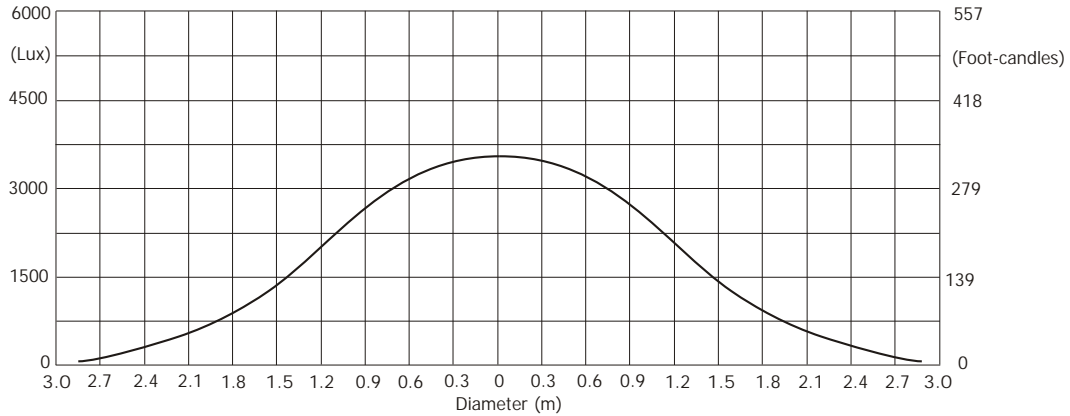
Max. Zoom with Heavy Frost 20° (standard)

Quiet mode



Illuminance distribution

Distance=5m

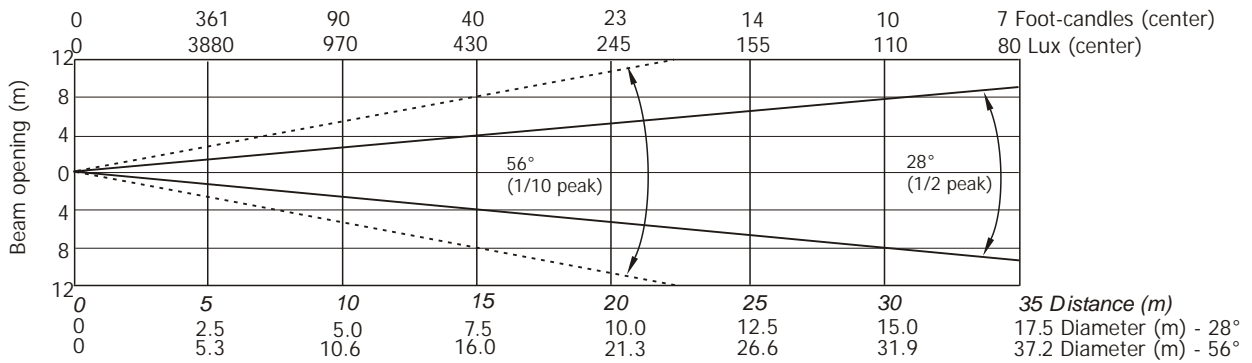


Robin BMFL WashBeam

Photometric Diagram

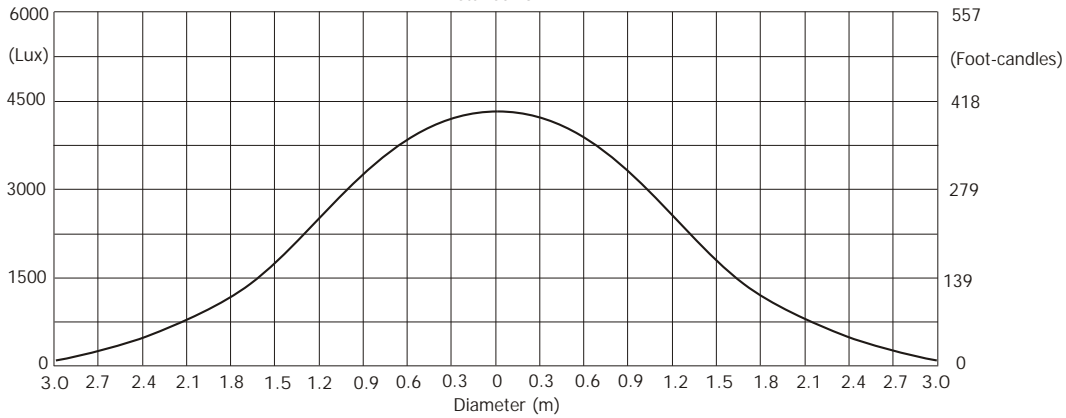
Max. Zoom with Heavy Frost 30°

Lamp power=1700W

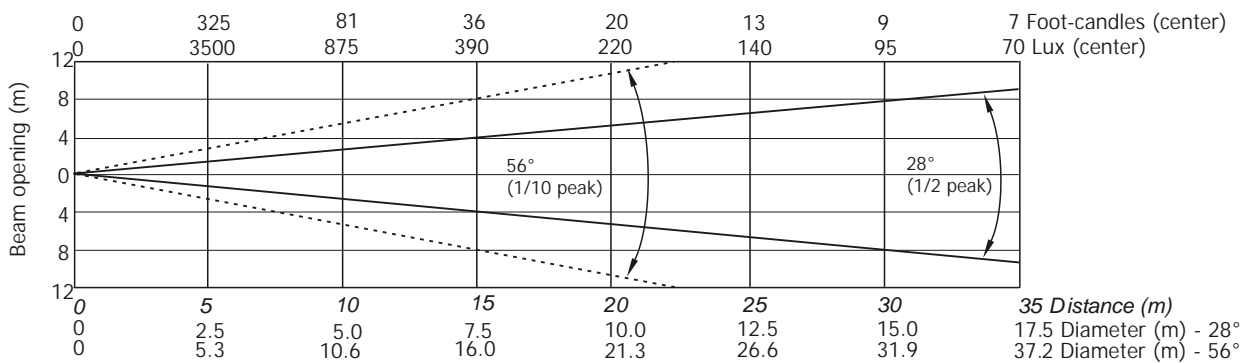


Illuminance distribution

Distance=5m

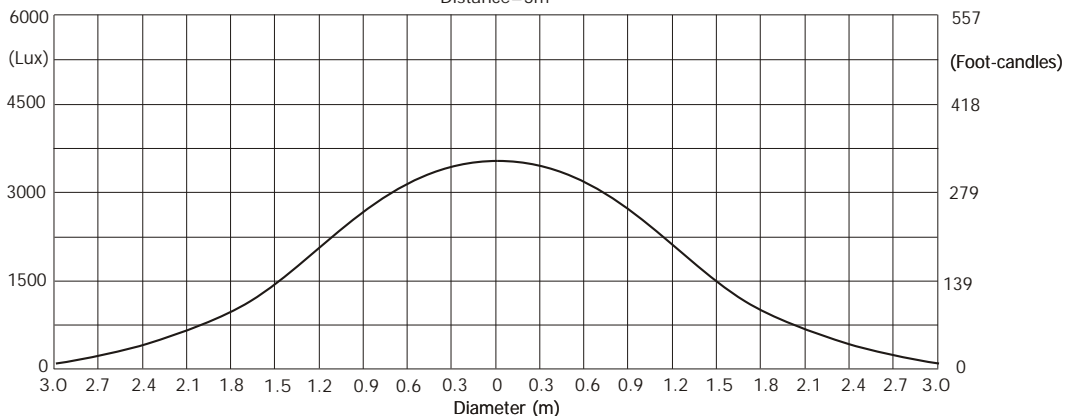


Lamp power=1500W



Illuminance distribution

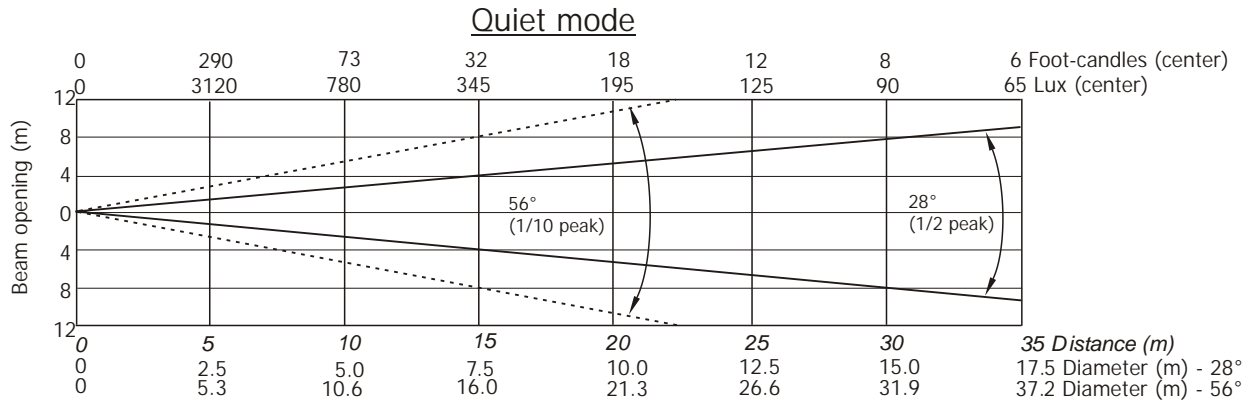
Distance=5m



Robin BMFL WashBeam

Photometric Diagram

Max. Zoom with Heavy Frost 30°



Illuminance distribution

