



Q·10

RGBW color LED flood blinder strobe



Description

The SGM Q-10 is a unique and extremely powerful all-in-one LED luminaire. It carries the functionalities of a strobe light, a flood light, a pixel light, and a blinder with a non-fading continuous output, making it the perfect multi-purpose LED fixture. It features a wide native beam angle that can be modified by using different barndoors accessories.

Features and benefits

- ✓ 57140 lumen 110° IP65-rated RGBW LED luminaire
- ✓ 2,048 RGB SMD LEDs and 2,048 white SMD LEDs with 8 individually controllable segments
- ✓ Powerful strobe effect with very fast feedback and wide coverage
- ✓ No color shifts / flicker-free operation
- ✓ CTC linear control from 2000K - 10000K
- ✓ 4-way and 8-way barndoors as accessories
- ✓ Practically maintenance-free
- ✓ User friendly display, wireless control, and integrated handle

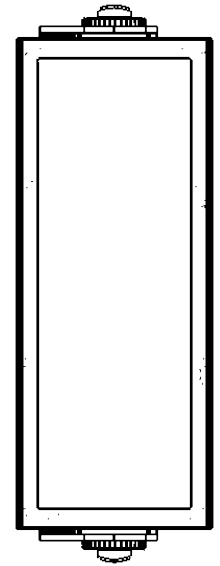
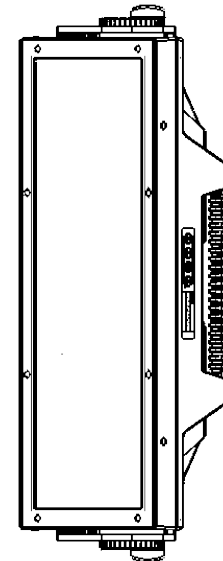
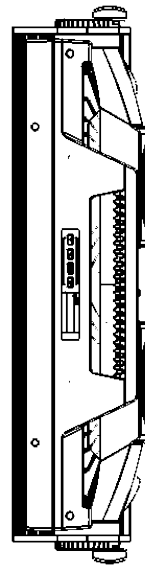
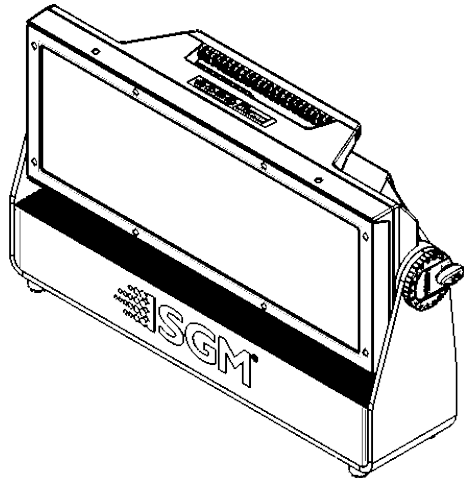
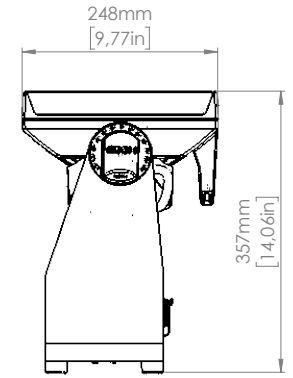
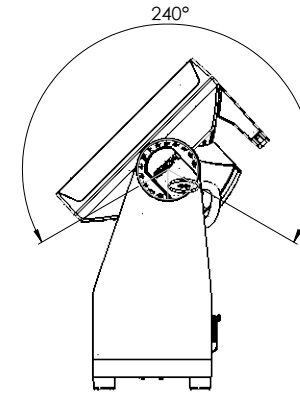
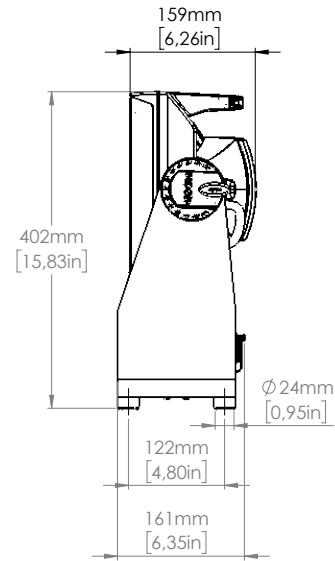
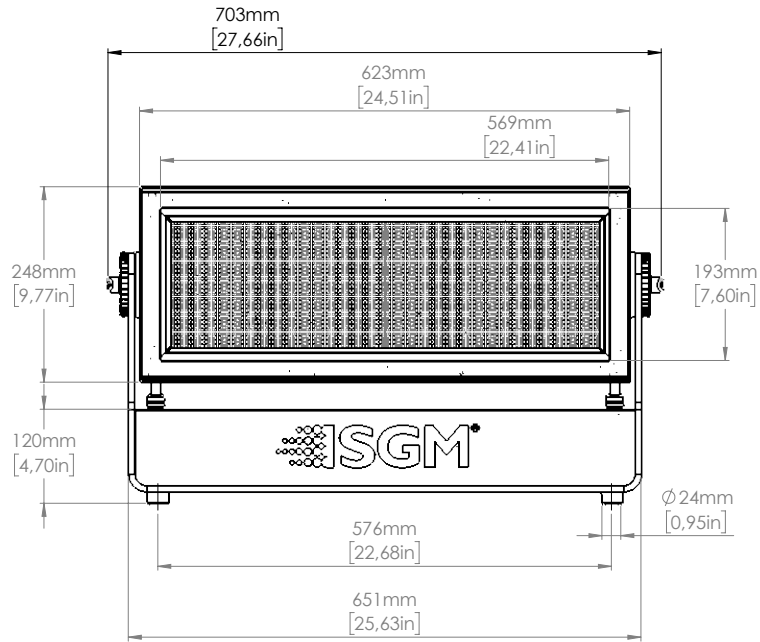
Certifications & classifications

IP65

RoHS

CE





Specification

Optical Data	LED expected lifetime	50,000 hours
	Lightsource	2,048 x RGB SMD LEDs & 2,048 x white SMD LEDs (5,700K)
	Native lens options	110°
	Optional filters	Extra medium angle soft diffusion, Q, external Extra wide angle soft diffusion, Q, external Elliptical horizontal effect, Q, external Elliptical vertical effect, Q, external
Photometric	Average CRI (CTC)	83
	Color temperature range	2000K - 10000K
	Efficacy	47.6 lm/W
	Light output all LEDs on	57140 lm
	Light output blue	3032 lm
	Light output green	15625 lm
	Light output red	5609 lm
	Lumen per kilogram	2886 lm / Kg
	Lux @ 10m	223 lux
	Lux @ 3m	2593 lux
	Lux @ 5m	893 lux
	Native beam angle(s)	104° (with 110° lens)
	Native field angle(s)	146°
Physical	Color options	Black - RAL 9004 Custom color - Any RAL White - RAL 9010
	Effective Projected Area	3.7 Square ft
	IP class	IP65
	Material	Aluminium PC/ASA Plastic Rubber Steel Tempered Glass
	Net dimensions	702 x 402 x 206 mm
	Net dimensions inches	27.7 x 15.8 x 8.1 inches
	Net weight	19.8 kg (43.7 lbs)
	Features	Color calibration
Dehumidifier		Base / Head

	Dimming	3 Smooth fade in, DMX-controllable curves: gamma corrected, linear, halogen emulation
	Emulation mode / effect	Tungsten response emulation Color Filter Emulation
	Filters	Magnetic easy-fit spread angle filter frames
	LED panel	8 individually controllable segments
	Other	Studio DMX mode(s) LED frequency control over DMX
	Strobe	Ultra-high-speed strobe effects Intensity, Duration, Rate and FX control channels Pixel strobe feature (up to 8 segments)
	Tilt	0 - 190°
	Tilt locking system	Locking system with angle indicator
Electrical	Electrical protection	Overload protection with automatic recover
	Input voltage, absolute max. rating	90 - 305 VAC; 50 / 60 Hz
	Input voltage, nominal	100 - 277 VAC; 50 / 60 Hz
	Max inrush current 230VAC	110 A
	Max power consumption	1250 W
	Power factor	0.99 PF (230 V)
	Power Supply Unit	Auto-ranging electronic switch-mode
	Standby power consumption	39 W
Programming and Control	16-bit control	Dimmer, Red, Green, Blue, White
	Cabled DMX	5 pin XLR input/output
	DMX channels	6, 8, 10, 27 or 30
	DMX modes	7
	Protocol	CRMX, W-DMX™ G2, W-DMX™ G3, W-DMX™ G4, W-DMX™ G4S USITT DMX512A RDM ANSI E1.20
	Setting and addressing	OLED graphical display / 4 buttons RDM ANSI E1.20 Standalone mode
	Standalone mode	Quick Color Up to 24 programmable scenes
	Wireless DMX	Lumen Radio with RDM
Connections	DMX data in/out	IP65 XLR 5-pin connector, Female IP65 XLR 5-pin connector, Male
	Power	Power input connector & link-thru

Installation	Mounting point	3 x two quarter-turn locking points for two or three Omega Brackets
	Orientation	Any
	Rigging possibilities	Hanging (Omega Brackets included)
	Safety features	2 attachment points for safety wire Minimum distance to combustible materials: 0.3 meter (11 in).
Thermal	Cooling	Active, Forced Air, Temperature-regulated
	Humidity (max.)	98 %
	Temperature range, operating	-40°C to 50°C
	Temperature range, start-up	-20°C to 50°C
	Temperature range, storage	-40°C to 80°C
	Thermal protection	Automatic overtemperature protection
	Total heat dissipation, max power	4265 BTU per hour
	Total heat dissipation, standby	133.1 BTU per hour
Included items	Included items	2 Omega bracket with quarter-turn fasteners 2 m IP66 power cable pigtail Safety instructions and installation quick guide
Conforms To	CE - 2014/30/EU: EMC Directive	EN 55103-1 EN 55103-2 EN 55015 EN 61547 EN 61000-3-2 EN 61000-3-3
	CE - 2014/35/EU: Low Voltage Directive	EN 60598-1 EN 60598-2-17 EN 62471 EN 60529
	RoHS2 Directive	2011/65/EU
	UL	UL Std. 1573
Certified To	CSA	CSA-E598-2-17-98, Ed: 1 CSA E60598-1, Ed: 3

NOTES:

Due to continuous improvements and innovations, specifications may change without notice.

LEDs' expected lifetime provided by manufacturer and obtained under manufacturer's test conditions.

Ordering information

Qty	Product name	Item number
<input type="checkbox"/>	Q-10, Std, BL	80033100
<input type="checkbox"/>	Q-10, Std, WH	80033110
<input type="checkbox"/>	Q-10, Std, CU	80033120
<input type="checkbox"/>		
	Accessories	Item number
<input type="checkbox"/>	Omega Bracket with 1/4-turn fasteners	83060602
<input type="checkbox"/>	Power cable with IP connector	07860275
<input type="checkbox"/>	SGM USB uploader cable	83062011
<input type="checkbox"/>	Vacuum Test Kit	83061136
<input type="checkbox"/>	A-4	80070217
<input type="checkbox"/>	Filter frame for P·10 - elliptical horizontal wide angle	83061158
<input type="checkbox"/>	Filter frame for P·10 - elliptical vertical wide angle	83061159
<input type="checkbox"/>	Filter frame for P·10 - medium angle	83061156
<input type="checkbox"/>	Filter frame for P·10 - wide angle	83061157
<input type="checkbox"/>	4-way Barndoors for P·10, Q·10	83061152
<input type="checkbox"/>	RDM Addressing Tool	
<input type="checkbox"/>	Flight Case for 2 pcs of P·10 / Q·10 incl. accessories	82051504
<input type="checkbox"/>	Spigot adapter for omega bracket	83060639
<input type="checkbox"/>		



Headquarter [+45 70 20 74 00](tel:+4570207400)

Mail info@sgmlight.com

Website sgmlight.com