

KL PANEL XL



The **KL PANEL XL™** is a full-color-spectrum LED soft light that provides high output, precise color temperature control, full spectrum color rendering and even wash coverage. Optimized for the tunable white light requirements of Film and Television, it is an ideal key and fill light source for many situations requiring outstanding performance and color quality.

FEATURES

- 544W RGBWLC (Red, Green, Blue, White, Lime, Cyan) LED Array
- CRI 95, CCT Adjustment from 2,000 to 10,000K
- 44,000 Total Lumen Fixture Output
- 4x2 Section control option
- Internal Power Supply with Power Pass-Through
- 24-36 VDC Battery Operation (battery not included)
- DMX/RDM, Art-Net and sACN Protocol Support
- E-FLY™ Internal Extended Range Wireless DMX Transceiver
- Stand-Alone Control with 3 Encoders and OLED Display
- Barn Doors, Diffuser, and Junior Pin (1 1/8" - 28mm) included

The KL PANEL XL incorporates a highly efficient 6-in-1 LED package that produces up to 44,000 lumens at a 100° half-peak angle. The optional 4x2 Section control provides additional creative capabilities for color effects and visual impact.

Compact and portable, the fixture can be mounted on a stand or suspended using any standard clamp or the included Junior pin adapter. A rugged housing with impact resistant surrounds and base plate ensures the KL Panel XL can handle the rough handling on today's fast paced sets.



It is fully self-contained without the need for an external power supply. It can also be remotely powered thru its integrated 4-pin XLR 24-36 VDC battery input. The KL Panel can be operated through industry standard DMX, Art-NET or sACN protocols. In addition, it can also be adjusted manually using the included encoders and OLED display, providing instant control of Intensity, Color temperature, Green shift and other important settings. The display and encoders are conveniently positioned on the bottom of the fixture to ensure easy access while the KL Panel is mounted on a stand. The integration of Elation's E-FLY™ wireless system allows for even more flexibility of use.

Specifications subject to change without notice ©Elation Professional 04/25/2022

Elation Professional USA | 6122 S. Eastern Ave. | Los Angeles, CA. 90040
323-582-3322 | 323-832-9142 fax | www.elationlighting.com | info@elationlighting.com

Elation Professional B.V. | Junostraat 2 | 6468 EW Kerkrade, The Netherlands
+31 45 546 85 66 | +31 45 546 85 96 fax | www.elationlighting.eu | info@elationlighting.eu

PRODUCT SPECIFICATIONS

SOURCE

6-in-1 (Red, Green, Blue, White, Lime, Cyan) Full Spectrum LED Array
50,000 Hour Average LED Life*

*Test lab conditions. May vary depending on several factors including but not limited to: Environmental Conditions, Power/Voltage, Usage Patterns (On-Off Cycling), Control, and Dimming.

PHOTOMETRIC DATA

up to 44,000 Total Lumen Output
Diffuser
Beam Angle 101°
Field Angle 159.4°
Without Diffuser
Beam Angle 111°
Field Angle 155.4°

EFFECTS

Variable CCT 2,000K - 10,000K
Green-Shift Adjustment
4x2 Section Control
Virtual Gel Library
Variable 16-bit Dimming Curve Modes
High Speed Electronic Shutter and Strobe
Remote Adjustable LED Refresh Rate Frequency (900-25kHz)

CONTROL / CONNECTIONS

12 DMX Channel Modes (1-96 Ch.)
1 or 8 cell control sections
3 Manual Adjustment Encoders
4 Button Control Panel and OLED Menu Display
DMX, RDM, Art-NET, sACN Protocol Support
E-FLY™ Internal Extended Range Wireless DMX Transceiver
Locking 5pin XLR Connector In/Out
Locking 3pin XLR Connector In/Out
Locking IP65 Power Connector In/Out
USB Connection (Firmware Updates, External 5V power for accessories)
4pin XLR External Battery Connection (battery not included)

SIZE / WEIGHT

Length: 30.1" (763.8mm)
Width: 6.1" (155mm)
Height: 12.05" (306mm)
Height (with yoke): 16.8" (426.8mm)
Weight: 37.9 lbs. (17.2 kg)
Weight: (Junior Pin) 1.02 lbs. (0.46 kg)

ELECTRICAL / THERMAL

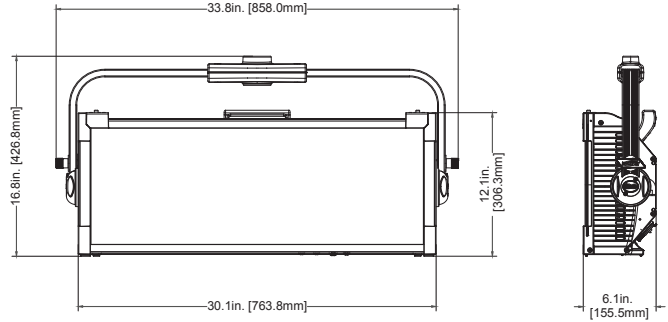
AC 100-240V - 50/60Hz
24-36 VDC (battery operation - battery not included)
Max Power Consumption 544W
14°F to 113°F (-10°C to 45°C)

APPROVALS / RATINGS

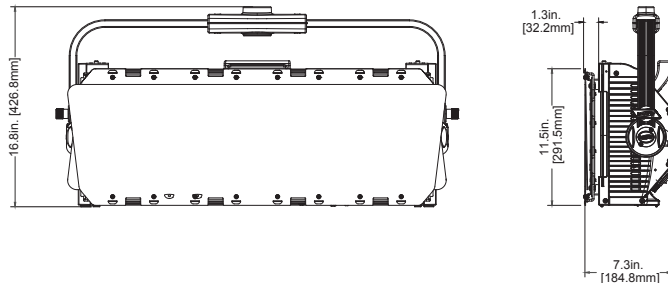
CE | cETLus | IP20

DIMENSIONAL DRAWINGS

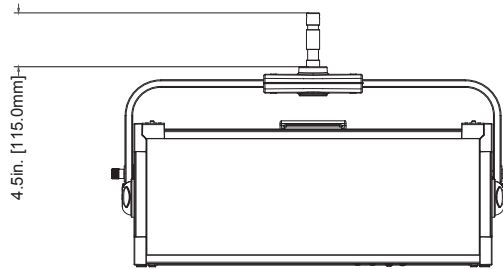
FIXTURE ONLY



BARNDOOR INSTALLED



JUNIOR PIN INSTALLED



*DRAWINGS NOT TO SCALE

ORDERING INFORMATION

KLP103	KL Panel XL (US SKU)
1237000254	KL Panel XL (EU SKU)
KLP972	KL Panel XL Intensifier Lens
KLP637	KL Panel 40° Snap Grid
KLP651	KL Panel Snap Bag

