

L10

Bright. Robust. Tuneable.

(Daylight Tuneable). While the L10-C is the most versatile with regard to color tuneability, producing vivid colors with saturation control, the L10-TT and L10-DT are brighter than the L10-C and still offer a select CCT tuning range.

The L10 is the brightest and largest L-Series lamphead to date. Its substantial 10" Fresnel lens and powerful output allow for more distant fixture placement and the wrapping of light around objects in a natural and pleasing way. At more than twice the brightness of the L7, the L10 is also one of the brightest LED Fresnels on the market.

Consuming only 400 W, the L10 is incredibly energy efficient. The L10-TT and L10-DT versions have a brightness level close to that of a 2,000-W tungsten Fresnel. This means that with the same amount of power as consumed by a single conventional 2 kW tungsten light, you can run five L10s and achieve almost five times the light output.



L10-C Color temperature, tint and hue can be continuously adjusted from 2,800 K to 10,000 K, between full plus or minus green and RGBW colors.

L10-T TUNEABLE Tuneable Tungsten allows for fine-tuning of the tungsten color temperature from 2,600 K to 3,600 K with increased brightness over the L10-C, and is particularly suited to applications requiring precise matching to conventional tungsten lampheads.

L10-D TUNEABLE Tuneable Daylight allows for fine-tuning of the daylight color temperature from 5,000 K to 6,500 K with increased brightness over the L10-C, and is particularly suited to applications requiring precise matching to daylight balanced light sources.

2,800 - 10,000 K

2,600 - 3,600 K

5,000 - 6,500 K

approx. 8 % brighter than L10-C

approx. 14 % brighter than L10-C

Order No.	Description
L0.0003383	L10-C, Hanging, Blue/Silver
L0.0003384	L10-C, Hanging, Black
L0.0003385	L10-C, Pole Operated, Blue/Silver
L0.0003386	L10-C, Pole Operated, Black
L0.0003382	L10-C, Stand-Mount, Blue/Silver, 3 m Cable, Schuko powerCON
L0.0003381	L10-C, Stand-Mount, Blue/Silver, 7 m Cable, Edison powerCON

Order No.	Description
L0.0003389	L10-TT, Hanging, Blue/Silver
L0.0003390	L10-TT, Hanging, Black
L0.0003391	L10-TT, Pole Operated, Blue/Silver
L0.0003392	L10-TT, Pole Operated, Black
L0.0003388	L10-TT, Stand-Mount, Blue/Silver, 3 m Cable, Schuko powerCON
L0.0003387	L10-TT, Stand-Mount, Blue/Silver, 7 m Cable, Edison powerCON

Order No.	Description
L0.0003395	L10-DT, Hanging, Blue/Silver
L0.0003396	L10-DT, Hanging, Black
L0.0003397	L10-DT, Pole Operated, Blue/Silver
L0.0003398	L10-DT, Pole Operated, Black
L0.0003394	L10-DT, Stand-Mount, Blue/Silver, 3 m Cable, Schuko powerCON
L0.0003393	L10-DT, Stand-Mount, Blue/Silver, 7 m Cable, Edison powerCON

ALL VERSIONS INCLUDE the following base configuration: powerCON TRUE1 Mains Cable, Onboard control panel, 5-pin DMX in and thru connector, 28 mm (1 1/8") spigot (Junior Pin)

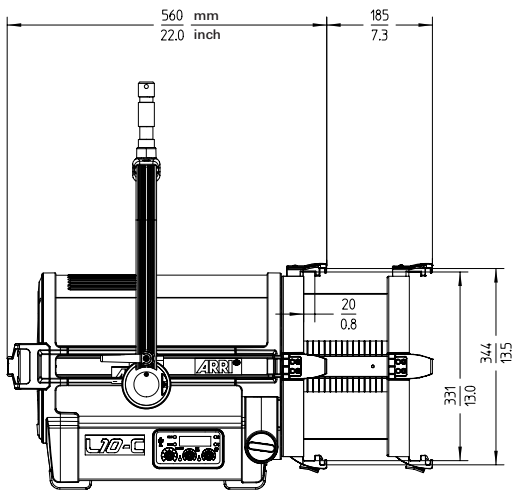
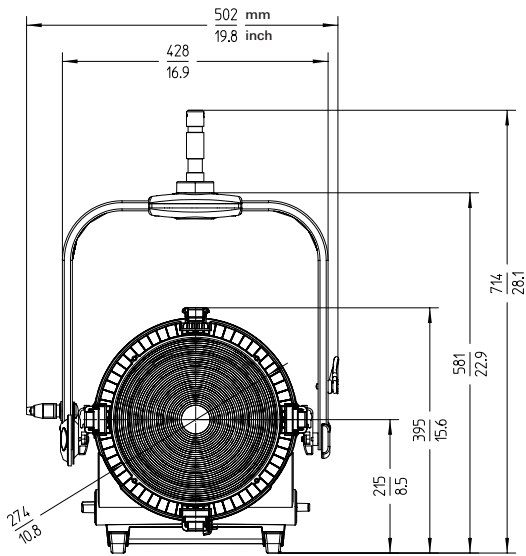
HANGING versions include the following base configuration: 1.5 m (5 ft) Mains Cable with Bare Ends

POLE-OPERATED versions include the following base configuration: 1.5 m (5 ft) Mains Cable with Bare Ends, Pole Operation for pan, tilt and focus

STAND-MOUNT versions include the following base configuration: 3 m (10 ft) Mains Cable with Schuko connector and line switch

NOT INCLUDED: Barndoors (have to be ordered separately)

L SERIES
CUT. SHAPE. FOCUS. TUNE.



Technical Specifications

Optical System	Focusable Fresnel
Lens Diameter	274 mm / 10"
Beam Angle	15° to 50° (Half Peak Angle)
Weight	Manual Version: 19.3 kg / 42.5 lbs Pole Op Version: 20.7 kg / 45.6 lbs
Handling	Adjustable Sliding Stirrup, High Strength Tilt Lock, Pole Operation Option (Pan, Tilt and Focus)
Mounting	28 mm Spigot (Junior Pin)
Tilt Angle	+/- 90°
Power Supply Range	100 to 250 V ~, 50/60 Hz
Power Consumption	L10-C: 400 W Nominal, 510 W Maximum L10-TT: 415 W Nominal, 425 W Maximum L10-DT: 455 W Nominal, 475 W Maximum
Power Connection	powerCON TRUE1 (Bare Ends / Schuko / Edison Cables Available)
White Light	L10-C: 2,800 K to 10,000 K continuously variable correlated color Temperature L10-TT: 2,600 K to 3,600 K continuously variable correlated color Temperature L10-DT: 5,000 K to 6,500 K continuously variable correlated color Temperature
Colored Light (L10-C only)	Full RGB+W Color Gamut with Hue and Saturation Control
Color Temperature Tolerance	+/- 100 K (nominal), +/- 1/8 Green-Magenta (nominal)
Color Rendition	L10-C: CRI Average > 95, TLCI Average > 91 L10-TT: CRI Average > 95, TLCI Average > 93 L10-DT: CRI Average > 93, TLCI Average > 92
Green-Magenta Adjustment	Continuously Adjustable (Full Minusgreen to Full Plusgreen)
Dimming	0 to 100 % continuous
Control	5-Pin DMX In and Through, On-Board Controller, Mini-USB
Remote Device Management (RDM)	DMX Setup, Hour Counter and Standard RDM Commands
Mini-USB Interface	DMX Setup, Fixture Status and Firmware Upgrade Through PC Software
Housing Color	Blue/Silver, Black
Ambient Temperature Operation	-20 to 45° C (-4 to 113° F)
Protection Class / IP Rating	I / IP20
Estimated LED Lifetime (L70)	50,000 hours
Estimated Color Shift Over Lifetime (CCT)	+/- 5 %
Certifications	CE, CB, GS, cNRTLus, FCC, PSE

All specifications are nominal / typical values.

Photometric Data (Nominal)

	3 m / 9.8 ft		5 m / 16.4 ft		7 m / 23 ft		9 m / 29.5 ft		12 m / 39.37 ft	
L10-C	3,200 K	5,600 K	3,200 K	5,600 K	3,200 K	5,600 K	3,200 K	5,600 K	3,200 K	5,600 K
Spot: 15°	14444 lx / 1342 fc	15000 lx / 1394 fc	5200 lx / 483 fc	5400 lx / 502 fc	2653 lx / 246 fc	2755 lx / 256 fc	1605 lx / 149 fc	1667 lx / 155 fc	903 lx / 84 fc	938 lx / 87 fc
Middle: 30°	4789 lx / 445 fc	5000 lx / 465 fc	1724 lx / 160 fc	1800 lx / 167 fc	880 lx / 82 fc	918 lx / 85 fc	532 lx / 49 fc	556 lx / 52 fc	299 lx / 28 fc	313 lx / 29 fc
Flood: 50°	1944 lx / 181 fc	2044 lx / 190 fc	700 lx / 65 fc	736 lx / 68 fc	357 lx / 33 fc	376 lx / 35 fc	216 lx / 20 fc	227 lx / 21 fc	122 lx / 11 fc	128 lx / 12 fc
L10-TT	3,200 K		3,200 K		3,200 K		3,200 K		3,200 K	
Spot: 15°	15667 lx / 1455 fc		5640 lx / 524 fc		2878 lx / 267 fc		1741 lx / 162 fc		979 lx / 91 fc	
Middle: 30°	5111 lx / 475 fc		1840 lx / 171 fc		939 lx / 87 fc		568 lx / 53 fc		319 lx / 30 fc	
Flood: 50°	2100 lx / 195 fc		756 lx / 70 fc		386 lx / 36 fc		233 lx / 22 fc		131 lx / 12 fc	
L10-DT		5,600 K		5,600 K		5,600 K		5,600 K		5,600 K
Spot: 15°		16333 lx / 1517 fc		5880 lx / 546 fc		3000 lx / 279 fc		1815 lx / 169 fc		1021 lx / 95 fc
Middle: 30°		5833 lx / 542 fc		2100 lx / 195 fc		1071 lx / 100 fc		648 lx / 60 fc		365 lx / 34 fc
Flood: 50°		2333 lx / 217 fc		840 lx / 78 fc		429 lx / 40 fc		259 lx / 24 fc		146 lx / 14 fc