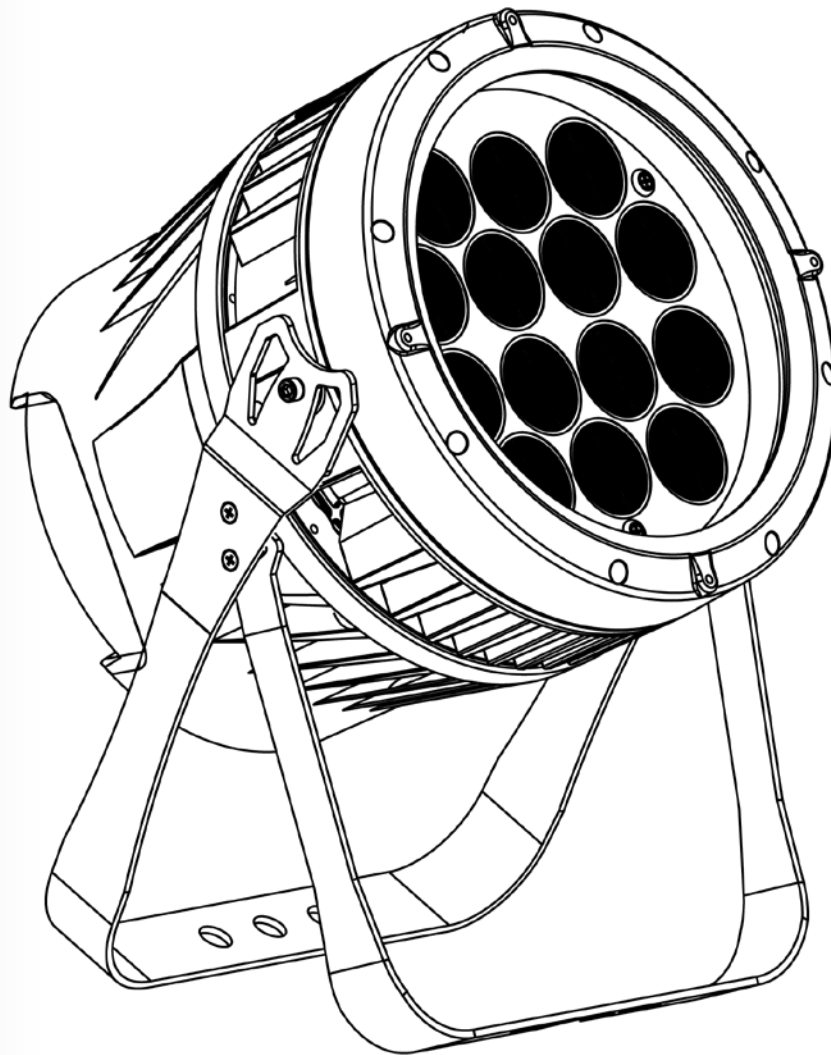


COLORADO™ 2-QUAD ZOOM IP

User Manual



CHAUVET[®]
PROFESSIONAL
It's **Green** Thinking.

Edition Notes The COLORado™ 2-Quad Zoom IP User Manual Rev. 3 covers the description, safety precautions, installation, programming, operation, and maintenance of the COLORado™ 2-Quad Zoom IP. Chauvet released this edition of the COLORado™ 2-Quad Zoom IP User Manual in September 2014.

Trademarks CHAUVET® is a registered trademark of CHAUVET & Sons Inc. (d/b/a CHAUVET® or Chauvet). The CHAUVET® logo in its entirety including the CHAUVET® name and the dotted triangle, and all other trademarks in this manual pertaining to services, products, or marketing statements (example: It's Green Thinking™) are owned or licensed by CHAUVET®. Any other product names, logos, brands, company names, and other trademarks featured or referred to within this document are the property of their respective trademark holders.

Copyright Notice Chauvet owns the content of this User Manual in its entirety, including but not limited to pictures, logos, trademarks, and resources.

© Copyright 2014 Chauvet. All rights reserved.

Electronically published by Chauvet in the United States of America.

Manual Use Chauvet authorizes its customers to download and print this manual for professional information purposes only. Chauvet expressly prohibits the usage, copy, storage, distribution, modification, or printing of this manual or its content for any other purpose without written consent from Chauvet.

Document Printing For better results, print this document in color, on letter size paper (8.5 x 11 in), double-sided. If using A4 paper (210 x 297 mm), configure your printer to scale the content accordingly.

Intended Audience Any person in charge of installing, operating, and/or maintaining this product should completely read through the guide that shipped with the product, as well as this manual, before installing, operating, or maintaining this product.

Disclaimer Chauvet believes that the information contained in this manual is accurate in all respects. However, Chauvet assumes no responsibility for any errors or omissions in this document. Chauvet reserves the right to revise and make changes to the content of this document without obligation that Chauvet notify any person or company of such revision or changes. This does not in any way constitute a commitment by Chauvet to make such changes. Chauvet may issue a revision of this manual or a new edition to incorporate such changes.

Document Revision The COLORado™ 2-Quad Zoom IP User Manual Rev. 3 supersedes all previous versions of this manual. Discard any older versions of this manual and replace with this version. Go to www.chauvetprofessional.com for the latest version.

Author	Date	Editor	Date
D. Coupe	10/22/14	A. Leon	10/22/14

Table of Contents

- 1. Before You Begin 1**
 - What Is Included 1
 - Claims 1
 - Manual Conventions 1
 - Symbols 1
 - Product At A Glance 2
 - Safety Notes 2
 - Personal Safety 2
 - Mounting And Rigging 2
 - Power And Wiring 2
 - Operation 2
 - Expected LED Lifespan 2
- 2. Introduction 3**
 - Description 3
 - Features 3
 - Overview 4
 - Dimensions 5
- 3. Setup 6**
 - AC Power 6
 - AC Plug 6
 - Power Linking 6
 - DMX Linking 6
 - DMX Personalities 6
 - Master/Slave Connectivity 6
 - Mounting 7
 - Orientation 7
 - Rigging 7
 - Procedure 7
- 4. Operation 8**
 - Control Panel Description 8
 - Control Options 8
 - Programming 8
 - Menu Map 9
 - Menu Map (Cont.) 10
 - Configuration (Standalone) 11
 - Auto Programs 11
 - Edit Custom Programs 11
 - Master/Slave 11
 - Color Settings 11
 - Dimmer Profiles 12
 - Curve Settings 12
 - Control Panel Lock 12
 - Passcode 12
 - Program Upload 12
 - Reset 13
 - Whites Setting 13
 - White Calibration 13
 - Static Color 13
 - TOUR Notes 14
 - Master Dimmer 14
 - Red, Green, Blue, And White Color Selection 14
 - Color Macros 14
 - Strobe 14

Auto/Custom	14
Dimmer Speed	14
Configuration (DMX)	15
DMX Personalities.....	15
DMX Control.....	15
Loss Of Signal Setting.....	15
Zoom Limit Settings	15
DMX Values	16
DMX Values (Cont.).....	17
DMX Values (Cont.).....	18
DMX Values (Cont.).....	19
DMX Values (Cont.).....	20
DMX Values (Cont.).....	21
DMX Values (Cont.).....	22
5. Technical Information	23
Product Maintenance.....	23
6. Technical Specifications.....	24
Returns	25
Contact Us	25

1. BEFORE YOU BEGIN

- What Is Included**
- COLORado™ 2-Quad Zoom IP
 - Local plug to proprietary IP66 input power cord
 - Male and female 5-pin XLR DMX to proprietary IP66 adapters
 - Gel frame holder (9 in/229 mm accessories)
 - Gel frame
 - Safety cable
 - Warranty card
 - Quick Reference Guide

Claims Carefully unpack the product immediately and check the box to make sure all the parts are in the package and are in good condition.




If the box or the contents (the product and included accessories) appear damaged from shipping or show signs of mishandling, notify the carrier immediately, not Chauvet. Failure to report damage to the carrier immediately may invalidate your claim. In addition, keep the box and contents for inspection.

For other issues, such as missing components or parts, damage not related to shipping, or concealed damage, file a claim with Chauvet within 7 days of delivery.

Manual Conventions

Convention	Meaning
1–512	A range of values in the text
50/60	A set of mutually exclusive values in the text
<SET>	A button on the product’s control panel
Settings	A product function or a menu option
MENU>Settings	A sequence of menu options
1–10	A range of menu values from which to choose in a menu
Yes/No	A set of two mutually exclusive menu options in a menu
ON	A unique value to be entered or selected in a menu

Symbols

Symbols	Meaning
	Critical installation, configuration, or operation information. Failure to comply with this information may cause the product not to work, damage third-party equipment, or cause harm to the operator.
	Important installation or configuration information. Failure to comply with this information may keep the product from working.
	Useful information.



The term “DMX” used throughout this manual refers to the USITT DMX512-A digital data transmission protocol.

Product At A Glance	Use on Dimmer	X	Auto Programs	P
	Outdoor Use	P	Auto-Ranging Power Supply	P
	Sound-Activated	X	Replaceable Fuse	X
	DMX	P	User-Serviceable	X
	Master/Slave	P		

Safety Notes

Read all the following Safety Notes before working with this product. These notes include important information about the installation, usage, and maintenance of this product.



This product contains no user-serviceable parts. Any reference to servicing in this User Manual will only apply to properly trained Chauvet certified technicians. Do not open the housing or attempt any repairs.



All applicable local codes and regulations apply to proper installation of this product.

Personal Safety

- Avoid direct eye exposure to the light source while the product is on.
- Always disconnect this product from its power source before servicing.
- Always connect this product to a grounded circuit to avoid the risk of electrocution.
- Do not touch this product's housing during operation because it may be very hot.
- The product is not intended for permanent outdoor installation.
- Do not submerge this product (IP66). Regular outdoor operation is fine. However, do not point the product straight down.
- Mount this product in a location with adequate ventilation, at least 20 in (50 cm) from adjacent surfaces.
- Make sure there are no flammable materials close to this product while it is operating.
- Do not allow the product to remain pointed straight down.
- When hanging this product, always secure to a fastening device using a safety cable (included).

Mounting And Rigging

Power And Wiring

Operation

- To eliminate unnecessary wear and improve its lifespan, during periods of non-use completely disconnect the product from power via breaker or by unplugging it. Always make sure you are connecting this product to the proper voltage in accordance with the specifications in this manual or on the product's specification label.
- Never connect this product to a dimmer pack or rheostat.
- Never disconnect this product by pulling or tugging on the power cable.
- When transferring product from extreme temperature environments, (e.g. cold truck to warm humid ballroom) condensation may form on the internal electronics of the product. To avoid causing a failure, allow product to fully acclimate to the surrounding environment before connecting it to power.
- Do not operate this product if you see damage on the housing, lenses, or cables. Have the damaged parts replaced by an authorized technician at once.
- Do not cover the ventilation slots when operating to avoid internal overheating.
- The maximum ambient temperature is 113 °F (45 °C). Do not operate this product at a higher temperature.
- In case of a serious operating problem, stop using this product immediately!



Expected LED Lifespan

In the unlikely event that your Chauvet product may require service, contact Chauvet Technical Support.

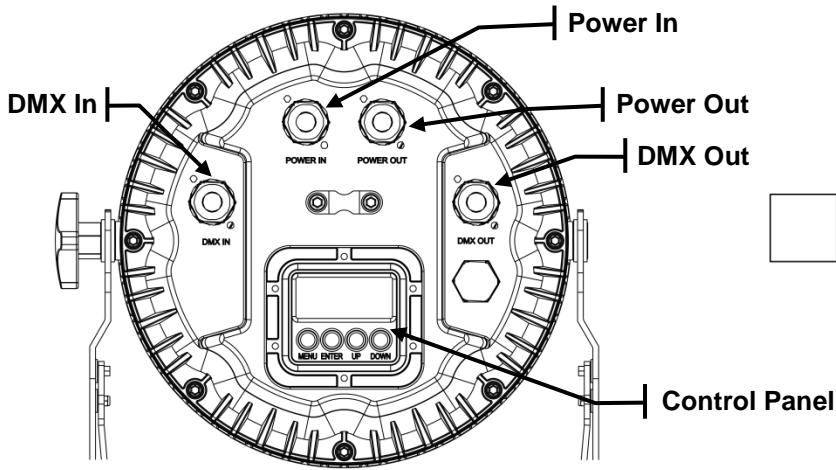
LEDs gradually decline in brightness over time, mostly because of heat. Packaged in clusters, LEDs exhibit higher operating temperatures than in ideal, single-LED conditions. For this reason, using clustered LEDs at their fullest intensity significantly reduces the LEDs' lifespan. Under normal conditions, this lifespan can be 40,000 to 50,000 hours. If extending this lifespan is vital, lower the operating temperature by improving the ventilation around the product and reducing the ambient temperature to an optimal operating range. In addition, limiting the overall projection intensity may also help to extend the LEDs' lifespan.

2. INTRODUCTION

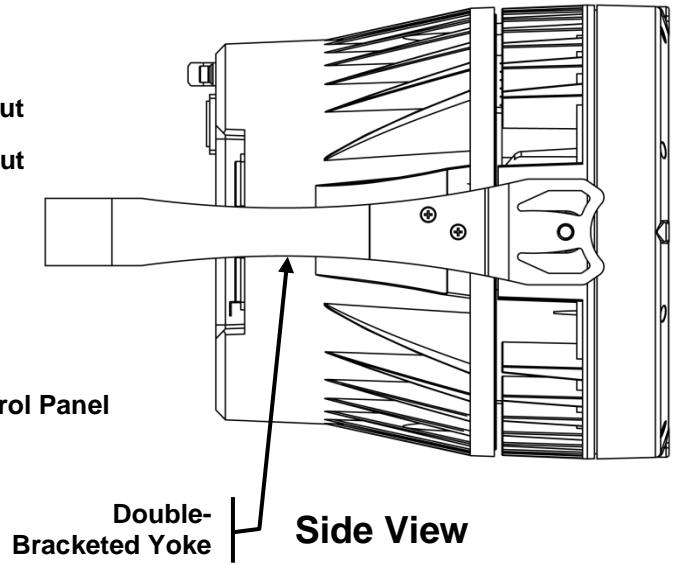
Description The COLORado™ 2-Quad Zoom IP is an IP66-rated high-power quad-color (RGBW) LED wash product with color mixing and zoom control. This product consists of a single module that houses the internal power supply, the control panel, the LED drivers, the LED boards, and motorized moving lenses, as well as the power and signal connectors. The COLORado™ 2-Quad Zoom IP features a variable zoom, which enables the user to change the beam angle of the unit via DMX or control panel, and a double-bracketed yoke that can serve as a floor mount or hanging support bracket.

- Features**
- 3-, 4-, 5-, 6-, 7-, 12-, or 17-channel quad-color LED wash product
 - Operating modes:
 - 3-channel: RGB control
 - 3-channel: HSV control
 - 4-channel: RGB, dimmer
 - 4-channel: RGBW
 - 5-channel: RGBW, dimmer
 - 6-channel: RGBW, dimmer, strobe
 - 7-channel: RGBW, dimmer, zoom, zoom reset
 - 12-channel: RGBW, dimmer, strobe, color macro, auto/custom, dimmer speed, auto speed, zoom, zoom reset
 - 17-channel: 16-bit RGBW and dimmer; strobe, color macro, auto/custom, dimmer speed, auto speed, zoom, zoom reset
 - 17-channel: 16-bit RGBW and dimmer; strobe, color macro, auto/custom, dimmer speed, auto speed, zoom, zoom reset
 - RGBW color mixing via DMX or manually
 - Zoom control via DMX or manually
 - Color temperature presets 3200 to 10000 K
 - Built-in auto and custom programs recalled via DMX and Master/Slave
 - 16-bit dimming of individual colors as well as master dimmer
 - Five distinct dimming curves for programming versatility
 - Color macros with included speed adjustment
 - Double-bracketed yoke doubles as a floor stand
 - IP66-rated with M12 GORE® valve for assured internal equalization
 - Edison to proprietary IP66 power cable, comes with the unit
 - 5-pin DMX to proprietary IP66 data cable, comes with the unit
 - LED display with passcode protection

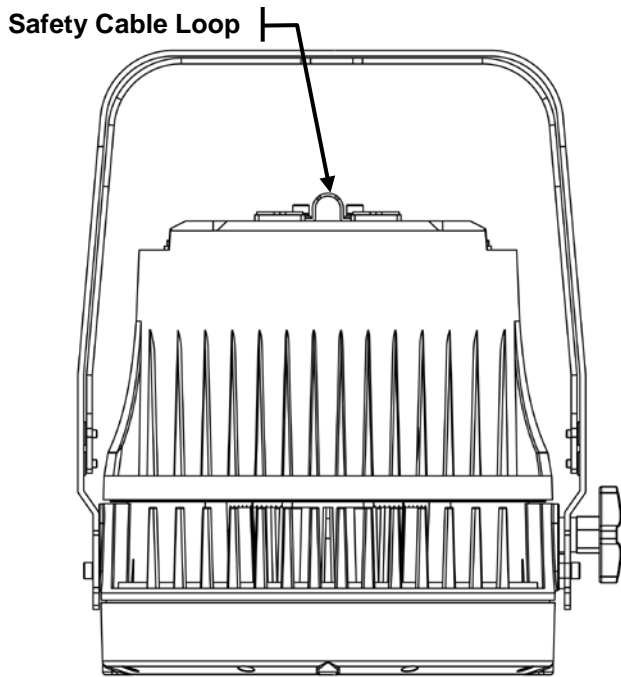
Overview



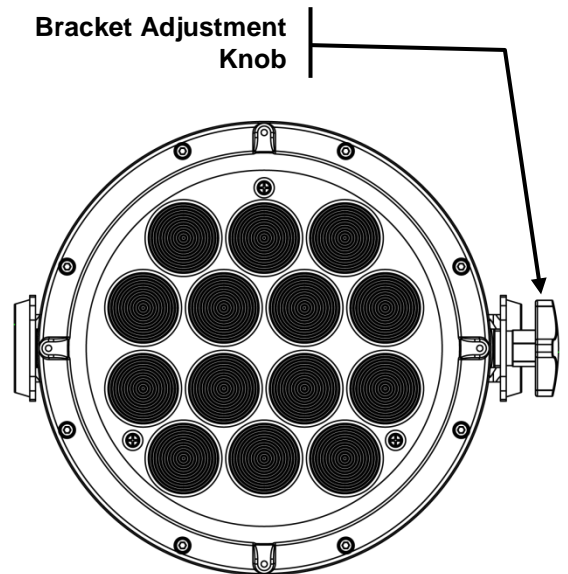
Rear View



Side View

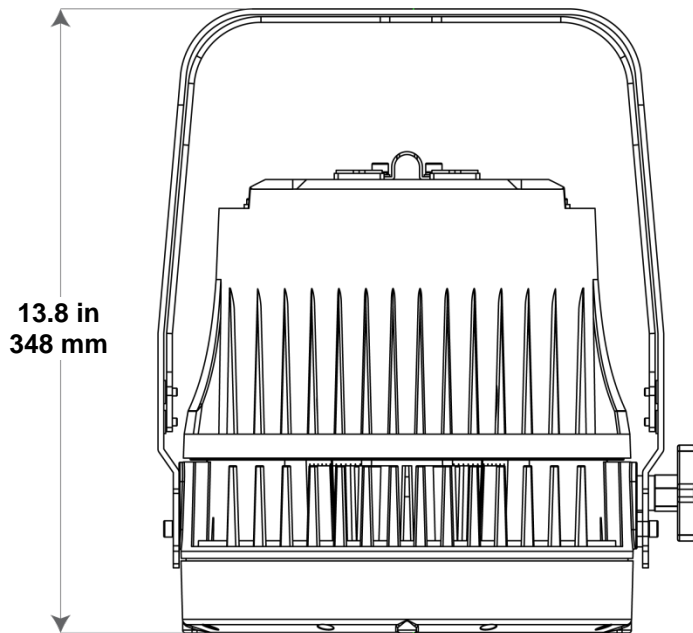
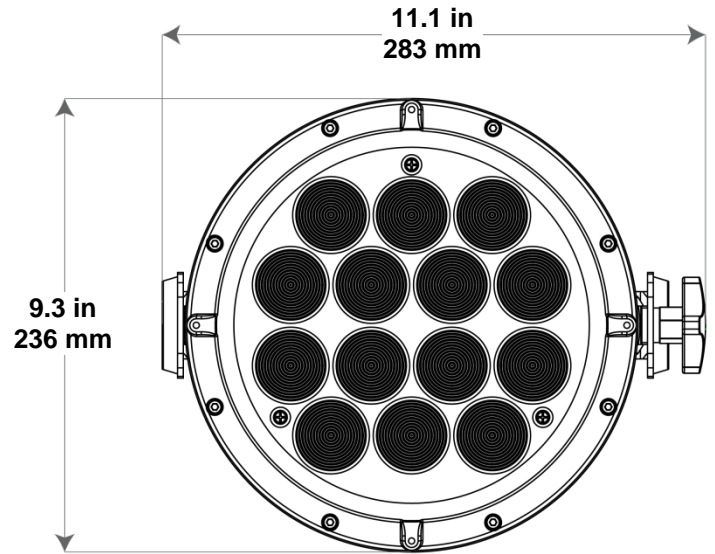
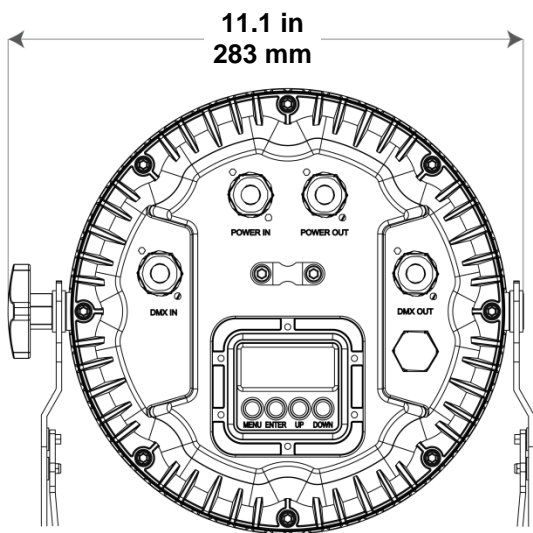


Top View



Front View

Dimensions



3. SETUP

AC Power Each COLORado™ 2-Quad Zoom IP has an auto-ranging power supply that works with an input voltage range of 100 to 240 VAC, 50/60 Hz. To determine the power requirements for each COLORado™ 2-Quad Zoom IP, refer to the label affixed to the product. You can also refer to the [Technical Specifications](#) chart in this manual.

The listed current rating indicates the maximum current draw during normal operation. For more information, you may download Sizing Circuit Breakers from the Chauvet website: www.chauvetlighting.com/download/pro.



Always connect this product to a protected circuit with an appropriate electrical ground to avoid the risk of electrocution or fire.



Never connect this product to a rheostat (variable resistor) or dimmer circuit, even if the rheostat or dimmer channel serves only as a 0 to 100% switch.

AC Plug The COLORado™ 2-Quad Zoom IP comes with an IP66 power input cord terminated with a proprietary IP66 connector and an IP66 to Edison power cord adapter. If the power cord adapter that came with your product has no plug or you need to change the Edison plug, use the table below to wire the new plug.

Connection	Wire (U.S.)	Wire (Europe)	Screw Color
AC Live	Black	Brown	Yellow or Brass
AC Neutral	White	Blue	Silver
AC Ground	Green/Yellow	Green/Yellow	Green

Power Linking The COLORado™ 2-Quad Zoom IP supports power linking. You can power link up to 7 products at 120 V; up to 13 at 208 V; or up to 14 at 230 V.

This product comes with a power input cord. Power linking cables are available from Chauvet for purchase.

DMX Linking You can link the COLORado™ 2-Quad Zoom IP to a DMX controller using a 5-pin DMX connection. If using other DMX-compatible products with the COLORado™ 2-Quad Zoom IP, you can control each individually with a single DMX controller.

DMX Personalities The COLORado™ 2-Quad Zoom IP uses the standard DMX data connection for the **TOUR**, **TR16**, **STD.Y**, **ARC.1**, **AR1.D**, **ARC.2**, **AR2.D**, **AR2.S**, **AR2.Z**, and **HSV** DMX modes.

- Refer to the [Introduction](#) chapter for a brief description of each DMX personality.
- Refer to the [Operation](#) chapter to learn how to configure the COLORado™ 2-Quad Zoom IP to work in these personalities.
- The [DMX Values](#) section provides you with detailed information regarding the DMX personalities.

Master/Slave Connectivity The Master/Slave mode allows a COLORado™ 2-Quad Zoom IP (the master) to control one or more COLORado™ 2-Quad Zoom IPs (the slaves) without a DMX controller. One COLORado™ 2-Quad Zoom IP becomes the master when running an auto or custom program, or by being in a Static mode.

You must configure each slave's control panel to operate in Slave mode. During Master/Slave operation, the slaves will operate in unison with the master.



DO NOT connect a DMX controller to products operating in Master/Slave mode. The DMX controller signals may interfere with the signals from the master.



The [Operation](#) section of this manual provides detailed instructions on how to configure the master and slaves.



If you are not familiar with or need more information about DMX standards, or the DMX cables needed to link this product to a DMX controller, download the DMX Primer from the Chauvet website: www.chauvetlighting.com/download/pro.

Mounting Before mounting this product, read and follow the [Safety Notes](#). For our CHAUVET® line of mounting clamps, go to <http://trusst.com/productcategory/base-plates-accessories-clamps/>.

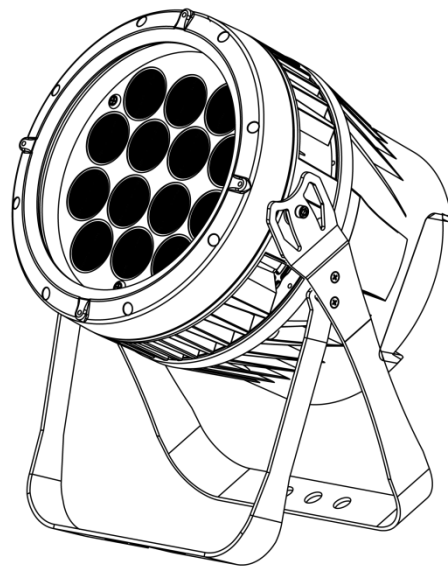
Orientation Always mount this product in a safe position and make sure there is adequate room for ventilation, configuration, and maintenance.

Rigging Chauvet recommends using the following general guidelines when mounting this product.

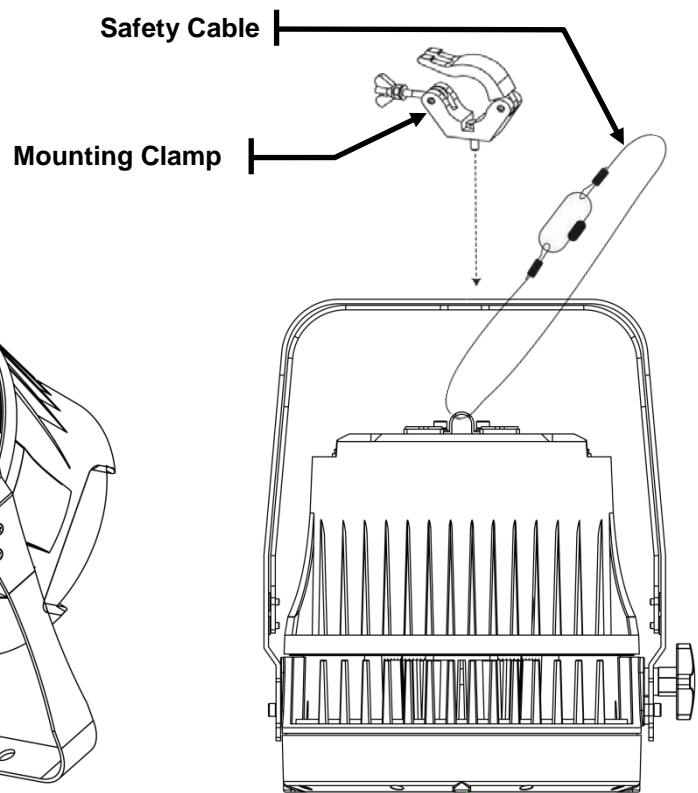
- When selecting an installation location, consider easy access to this product for operation, programming adjustments, and routine maintenance.
- Make sure to mount this product away from any flammable material as indicated in the [Safety Notes](#).
- If hanging this product, make sure that the mounting location can support the product's weight. See the [Technical Specifications](#) for the weight-bearing requirements of this product.
- When hanging this product, always secure to a fastening device using a safety cable (such as **CH-05** from Chauvet).

Procedure The COLORado™ 2-Quad Zoom IP comes with a double-bracketed yoke to which you can either attach mounting clamps for hanging or simply use as a floor stand. You must supply your own mounting clamps. Make sure the clamps (such as **CLP-15** from Chauvet) are capable of supporting the weight of this product. Use at least one mounting point per product.

Mounting Diagram



Floor Mounting



Overhead Mounting

4. OPERATION

Control Panel Description	Button	Function
	<MENU>	Exits from the current menu or function
	<ENTER>	Enables the currently displayed menu or sets the currently selected value in to the current function
	<UP>	Navigates upward through the menu list or increases the numeric value when in a function
	<DOWN>	Navigates downward through the menu list or decreases the numeric value when in a function

Control Options

You can set the COLORado™ 2-Quad Zoom IP starting address in the **001–512** DMX range. This enables control of up to 30 products in the 17-channel **TR16** or **STD.Y** personality.

Programming

Refer to the [Menu Map](#) to understand the menu options. The menu map shows the main level and a variable number of programming levels for each option.

- To go to the desired main level, press **<UP>** or **<DOWN>** repeatedly until the option shows on the display. Press **<ENTER>** to select. This will take you to the first programming level for that option.
- To select an option or value within the current programming level, press **<UP>** or **<DOWN>** until the option shows on the display. Press **<ENTER>** to select. In this case, if there is another programming level, you will see that first option, or you will see the selected value.
- Press **<MENU>** repeatedly to exit to the previous main level.

Menu Map

Main Level	Programming Levels				Description			
STAT	R.				000–255	Combines red, green, blue, and white to make a custom color (0–100%)		
	G.							
	B.							
	W.							
	Z.					Changes the beam angle (zoom)		
	S.				00–20	Selects the strobe frequency (0–20 Hz)		
AUTO	AT.				01–10	10 automatic programs		
	PR.				C1–10	10 customizable programs		
RUN	DMX					DMX mode		
	SLAV					Slave mode		
DMX	D.				001–512	Selects the DMX starting address		
PERS	TOUR					12-channel: RGBW, dimmer, strobe, color macro, auto/custom, dimmer speed, auto speed, zoom, zoom reset		
	TR16					17-channel: 16-bit RGBW and dimmer; strobe, color macro, auto/custom, dimmer speed, auto speed, zoom, zoom reset		
	STD.Y					17-channel: 16-bit RGBW and dimmer; strobe, color macro, auto/custom, dimmer speed, auto speed, zoom, zoom reset		
	ARC.1					3-channel: RGB control		
	AR1.D					4-channel: RGB, dimmer		
	ARC.2					4-channel: RGBW		
	AR2.D					5-channel: RGBW, dimmer		
	AR2.S					6-channel: RGBW, dimmer, strobe		
	AR2.Z					7-channel: RGBW, dimmer, zoom, zoom reset		
	HSV.					3-channel: HSV control		
EDIT	PR.	C1–10	SC.	01–30	R.	000–255	Combines red, green, blue, and white to generate a custom color (0–100%)	
					G.			
					B.			
					W.			
					Z.			Selects beam angle (zoom)
					S.	00–20		Selects the strobe frequency (0–20 Hz)
					T.	000–255		Defines the step duration (slow to fast)
					F.			Defines the fade duration (slow to fast)

Menu Map (Cont.)

Main Level	Programming Levels				Description							
SET	UPLD		**** (Enter Passcode)		Uploads custom programs to other COLORado™ 2-Quad Zoom IPs							
	REST		**** (Enter Passcode)		Defaults product to factory settings							
	DERR		BLAC		Blacks out fixture upon loss of DMX							
			SAVE		Continues with last command upon loss of DMX control							
	COLR		OFF		RGB set to 255 = max. output							
			RGBW		RGB set to 255 = balanced white							
			UC		Universal color balance							
	CURV		OFF		No dimmer							
			CV1		CV1 (fast) to CV3 (slow) dimmer curves							
			CV2									
			CV3									
	DIM		OFF		No dimmer							
			DIM1.		Dimmer profiles							
			DIM2.									
			DIM3.									
DIM4.												
ZOOM		BASE		Sets default zoom position (full movement)								
		POS.1		Sets position 1 setting for zoom limit								
		POS.2		Sets position 2 setting for zoom limit								
CAL	PASS (Enter Passcode)	CAL	WT	WH. 01–11	R. G. B. W.	000–255	Modifies the color macros used in the TOUR, TR16, and STD.Y personalities					
				RGBW	RGB.W	R. G. B.		000–255	Defines the color temperature used when COLR is set to RGBW			
						ZOOM		POS.1 POS.2		000–255	Sets min/max position of zoom	
					ON				Turns the passcode on or off			
					OFF							

Configuration (Standalone) Use standalone configuration to operate the product without a DMX controller.

Auto Programs Auto programs allow for dynamic RGBW color mixing without a DMX controller.

1. Go to the **AUTO** main level.
2. Select the desired auto (**AT. 01–10**) or custom program (**PR. C1–10**).



You cannot edit any of the auto programs (AT. 01–10). However, you can edit the custom programs (PR. C1–10). See [Edit Custom Programs](#) for details.

Edit Custom Programs

This setting allows the programming of up to 30 scenes for each of the 10 customizable programs, including colors and effects.

1. Go to the **EDIT** main level.
2. Select the desired auto program (**PR. C1–10**).
3. Select the desired scene (**SC. 01–30**).
4. Select the desired color or effect (**R., G., B., W., S., Z., T., or F.**).
5. Select the color or effect value (**000–255** for colors and timers, or **00–20** for strobe).
6. Repeat for the other colors or effects.
7. Return to the scene (**SC. 01–30**) level.
8. Repeat the settings of colors and effects for the other scenes.

Master/Slave

The Master/Slave mode allows a group of COLORado™ 2-Quad Zoom IPs (the slaves) to simultaneously duplicate the output of another COLORado™ 2-Quad Zoom IP (the master) without a DMX controller.

1. Set each of the slaves:
 - a. Go to the **RUN** main level.
 - b. Select **SLAV**.
2. Set the master:
 - a. Set the running mode to **DMX** as explained in [DMX Control](#).
 - b. Select an auto or custom program as explained in [Auto Programs](#), or a static mix of colors.



- **The master is the one that runs a program whether in Auto, Custom or Static Color mode.**
- **Do not connect a DMX controller to the products configured for Master/Slave operation. The DMX controller may interfere with signals from the master.**
- **The master should be the first product in the daisy chain.**

Color Settings

The **COLOR** setting determines how the COLORado™ 2-Quad Zoom IP generates the white color based on various RGB settings.

1. Go to the **SET** main level.
2. Select **COLR**.
3. Select **OFF**, **RGBW**, or **UC**.



- OFF** When all the RGB faders are set to **255**, the output is maximum, although the resulting white color may not be balanced.
- RGBW** When all the RGB faders are set to **255**, the resulting output is defined by the configured White color (see [White Calibration](#)).
- UC** When all the RGB faders are set to **255**, the output matches that of less efficient products (Universal Color).

Dimmer Profiles This setting determines how fast the output of the COLORado™ 2-Quad Zoom IP changes when you modify the values of the red, green, blue, white, and dimmer faders. This setting provides four different options to simulate the dimming curve of an incandescent lighting product.

1. Go to the **SET** main level.
2. Select **DIM**.
3. Select a dimmer curve (**OFF**, **DIM1.**, **DIM2.**, **DIM3.**, or **DIM4.**).



- OFF:** The output is proportional (linear) to the dimmer and RGBW channel values.
- DIM1.–4.:** The output follows the dimmer and RGBW channel values based on the corresponding dimmer curve, **DIM1.** being the fastest and **DIM4.** the slowest.

Curve Settings This setting allows you to select the dimmer curve shape using the red, green, blue, white, and dimmer faders.

1. Go to the **SET** main level.
2. Select **CURV**.
3. Select a dimmer curve (**OFF**, **CV1**, **CV2**, or **CV3**).



- OFF:** The output is proportional (linear) to the dimmer and RGBW channel values.
- CV1–3:** The output follows the dimmer and RGBW channel values based on the corresponding dimmer curve, **CV1** being the fastest and **CV3** the slowest.



For optimum control of the 16-bit dimming channels in the TR16 and STD.Y personalities, be sure that both dimming curves in SET > DIM and SET > CURV are set to OFF.

Control Panel Lock This setting enables you to activate or disable the control panel lock, which keeps non-authorized personnel from changing the product's settings.

1. Go to the **KEY** main level.
2. Select **ON** or **OFF**.



When the control panel lock is active, the product will prompt you to enter the passcode after 30 seconds of control panel inactivity or after turning on the product.

Passcode After being prompted to enter the passcode:

- Press **<UP>**, **<DOWN>**, **<UP>**, **<DOWN>**, **<ENTER>**.

Program Upload This option allows you to copy the custom programs of one COLORado™ 2-Quad Zoom IP onto other COLORado™ 2-Quad Zoom IPs by using the Master/Slave mode.

1. Configure and connect the products in a Master/Slave arrangement, where the master has the custom programs you want to transfer to the slaves.
2. From the master, go to the **SET** main level.
3. Select **UPLD**, press **<ENTER>**.
4. Enter the master access passcode as shown in [Passcode](#).
5. When **SEND** shows, press **<ENTER>** to start the upload.
6. Wait for the upload process to finish (the display will show **END**) before continuing or turning the products off.

The master and slaves will provide the status of the process by lighting up as follows:



- **Yellow** indicates that the upload process is running.
- **Green** indicates that the upload process completed successfully.
- **Red** indicates that the upload process failed due to an error. Recheck all cable connections and restart the process. If the issue persists, contact Chauvet Technical Support.



DO NOT upload the data from a COLORado™ 2-Quad Zoom IP to a different product. The other product may become inoperative.

Reset This setting allows you to reset the COLORado™ 2-Quad Zoom IP to the default values, including the custom programs.

1. Go to the **SET** main level.
2. Select **REST**, press **<ENTER>**.
3. Enter the master access passcode as described in [Passcode](#).
4. Wait for the reset process to finish.

Whites Setting This setting allows you to select and edit the temperature of the white colors used in channel 6 (Macros) when in the **TOUR** mode, or channel 11 (Macros) when in the **TR16** or **STD.Y** mode.

1. Go to the **CAL** main level.
2. When **PASS** shows, press **<ENTER>**.
3. Enter the master access passcode as described in [Passcode](#).
4. Go to **CAL**.
5. Go to **WT** and select a white color (**WH.01–11**).
6. Select a color (**R.**, **G.**, **B.**, or **W.**).
7. Select a color value (**000–255**).
8. Repeat for the other colors.

White Calibration This setting allows you to select the white color shown by the COLORado™ 2-Quad Zoom IP when the color setting is **RGBW** and the DMX controller's red, green, and blue faders are set to **255**.

1. Go to the **CAL** main level.
2. When **PASS** shows, press **<ENTER>**.
3. Enter the master access passcode as described in [Passcode](#).
4. Go to **CAL > RGBW > RGB.W**.
5. Select a color (**R.**, **G.**, or **B.**).
6. Select a color value (**000–255**).
7. Repeat for the other colors.



When selecting **CAL > PASS > CAL > RGBW > RGB.W**, you will only be able to define the values of **R.** (red), **G.** (green), and **B.** (blue).



The values of **R.** (red), **G.** (green), and **B.** (blue) configured from **CAL > PASS > CAL > RGBW > RGB.W** will define the color temperature shown when the RGB faders are set to **255** if **SET > COLR > RGB.W** is active.

Static Color The Static Color mode allows for permanent RGBW color mixing without a DMX controller.

1. Go to the **STAT** main level.
2. Select the desired color (**R.**, **G.**, **B.**, or **W.**).
3. Select the desired color value (**000–255**).
4. Repeat for the other colors.
5. Select **Z.**
6. Select the beam angle value (**000–255**).
7. Select **S.**
8. Select the desired strobe frequency (**00–20**).

TOUR Notes These notes clarify the way the **TOUR** DMX personality works.

- Master Dimmer**
 - Channel 1 controls the intensity of the currently projected color.
 - When the slider is at the highest position (**100%**), the intensity of the output is at maximum.
- Red, Green, Blue, And White Color Selection**
 - Channels 2 through 5 control the intensity ratio of each of the red, green, blue, and white LEDs.
 - When these channels are at the highest position (**100%**), the intensity of each color is at maximum if **SET > COLR** is **OFF**.
 - You can combine channels 2 through 5 to create over one trillion colors.
- Color Macros**
 - Channel 6 selects the required color macro.
 - Channel 6 has priority over channels 2 through 5.
 - Channel 1 controls the intensity of the color macro.
- Strobe**
 - Channel 7 controls the strobe frequency (not the intensity) of channels 2 through 6.
 - Channel 7 can strobe channels 2 through 5 when not running macros, allowing the individual faders (R, G, B, and W), as well as channel 1 (Master Dimmer), to control the output intensity.
 - Channel 7 can strobe channel 6 when running macros, allowing channel 6 to select the macro and channel 1 to control the output intensity.
- Auto/Custom**
 - Channel 8 selects the preset auto programs (**AT.01–10**) or the custom programs (**PR.C1–10**).
 - When activating the custom auto programs **PR.C1–10**, you can control the step time and fade time using channels 2 and 3, respectively.
 - Channel 8 has priority over channels 2 through 7.
 - Channel 9 controls the speed at which each auto program plays.
- Dimmer Speed**
 - Channel 10 selects the Dimmer mode and speed. Dimmer mode provides four different options to simulate the dimming curve of an incandescent lighting product.
 - When dimmer is set to values 010–029, the changes in the RGBW and master dimmer faders are linear.
 - When dimmer is set to dimming curve 1–4, Dimming Curve 1 is the fastest dimmer curve and Dimming Curve 4 is the slowest.

Configuration (DMX) Use DMX configurations to operate the product with a DMX controller.

- DMX Personalities** This setting allows you to choose a particular DMX personality.
1. Go to the **PERS** main level.
 2. Select the desired personality (**TOUR**, **TR16**, **STD.Y**, **ARC.1**, **AR1.D**, **ARC.2**, **AR2.D**, **AR2.S**, **AR2.Z**, or **HSV**).
- See the [DMX Control Table](#) for the highest recommended starting address you can select for each personality.
 - Make sure that the starting addresses on the various products do not overlap due to the new personality setting.



- DMX Control** In this mode, each product will respond to a unique starting address from the DMX controller. All products with the same starting address will respond in unison.
1. Select a DMX personality as shown in [DMX Personalities](#).
 2. Set the running mode:
 - a. Go to the **RUN** main level.
 - b. Select the **DMX** programming level.
 3. Set the starting address:
 - a. Go to **DMX** main level.
 - b. Select the starting address (**D.001–512**).

The highest recommended starting address for each DMX mode is as follows:



DMX Personality	DMX Address	DMX Personality	DMX Address	DMX Personality	DMX Address
TOUR	501	ARC.2	509	HSV	510
ARC.1	510	AR2.D	508	STD.Y	496
AR1.D	509	AR2.S	507	TR16	496
AR2.Z	506				

- Loss Of Signal Setting** This setting controls how the product will respond when the DMX signal is lost.
1. Go to the **SET** main level.
 2. Select **DERR**.
 - a. Select **SAVE** to make the product use the last command used when the signal is lost.
 - b. Select **BLAC** to turn off the all the LEDs when the signal is lost.

- Zoom Limit Settings** These settings allow you to select the zoom range. Basic zoom (**BASE**) is the default setting which allows the zoom to move at full range (**000–255**) and has no adjustable limit. Position 1 (**POS.1**) and Position 2 (**POS.2**) allow you to set limits on how far the zoom moves.
1. Set the zoom range to be used:
 - a. Go to the **SET** main level.
 - b. Select **ZOOM**.
 - c. Select **BASE**, **POS.1**, or **POS.2**.
 2. Set the limit for zoom range **POS.1** or **POS.2**:
 - a. Go to the **CAL** main level.
 - b. Enter the master access passcode as described in [Passcode](#).
 - c. When **CAL** shows, press **<UP>**.
 - d. Go to **ZOOM**.
 - e. Select **POS.1** or **POS.2**.
 - f. Select a zoom limit value (**000–255**).

DMX Values

TOUR	Channel	Function	Value	Percent/Setting
	1	Dimmer	000○ 255	0–100%
	2	Red	000○ 255	0–100% (Step Duration if Custom 1–10 in CH. 8 is active)
	3	Green	000○ 255	0–100% (Fade Duration if Custom 1–10 in CH. 8 is active)
	4	Blue	000○ 255	0–100%
	5	White	000○ 255	0–100%
	6	Color Macro + White Balance	000○ 010	No function
			011○ 030	R: 100% G: 0–100% B: 0
			031○ 050	R: 100%–0 G: 100% B: 0
			051○ 070	R: 0 G: 100% B: 0–100%
			071○ 090	R: 0 G: 100%–0 B: 100%
			091○ 110	R: 0–100% G: 0 B: 100%
			111○ 130	R: 100% G: 0 B: 100%–0
			131○ 150	R: 100% G: 0–100% B: 0–100%
			151○ 170	R: 100%–0 G: 100%–0 B: 100%
			171○ 200	R: 100% G: 100% B: 100% W: 100%
			201○ 205	White 1
			206○ 210	White 2
			211○ 215	White 3
			216○ 220	White 4
			221○ 225	White 5
			226○ 230	White 6
	231○ 235	White 7		
	236○ 240	White 8		
	241○ 245	White 9		
	246○ 250	White 10		
	251○ 255	White 11		
	7	Strobe	000○ 009 010○ 255	No function 0–20 Hz

DMX Values (Cont.)

TOUR (cont.)	Channel	Function	Value	Percent/Setting
	8	Programs	000ó 040	No function
			041ó 049	Auto 1
			050ó 059	Auto 2
			060ó 069	Auto 3
			070ó 079	Auto 4
			080ó 089	Auto 5
			090ó 099	Auto 6
			100ó 109	Auto 7
			110ó 119	Auto 8
			120ó 129	Auto 9
			130ó 139	Auto 10
			140ó 149	Custom 1
			150ó 159	Custom 2
			160ó 169	Custom 3
			170ó 179	Custom 4
			180ó 189	Custom 5
			190ó 199	Custom 6
			200ó 209	Custom 7
			210ó 219	Custom 8
			220ó 229	Custom 9
230ó 255	Custom 10			
	9	Auto Speed	000ó 255	0–100% (only when using Auto 1–10 in CH. 8)
	10	Dimmer Speed	000ó 009	Preset dimmer speed from display menu
			010ó 029	Linear dimmer
			030ó 069	Nonlinear dimming curve 1 (fastest)
			070ó 129	Nonlinear dimming curve 2
			130ó 189	Nonlinear dimming curve 3
190ó 255	Nonlinear dimming curve 4 (slowest)			
	11	Zoom	000ó 255	0–100%
	12	Zoom Reset	000ó 200	No function
			201ó 220	Zoom reset
			221ó 255	No function
ARC.1	Channel	Function	Value	Percent/Setting
	1	Red	000ó 255	0–100%
	2	Green	000ó 255	0–100%
	3	Blue	000ó 255	0–100%

DMX Values (Cont.)

AR1.D	Channel	Function	Value	Percent/Setting
	1	Dimmer	000 ó 255	0–100%
	2	Red	000 ó 255	0–100%
	3	Green	000 ó 255	0–100%
	4	Blue	000 ó 255	0–100%

ARC.2	Channel	Function	Value	Percent/Setting
	1	Red	000 ó 255	0–100%
	2	Green	000 ó 255	0–100%
	3	Blue	000 ó 255	0–100%
	4	White	000 ó 255	0–100%

AR2.D	Channel	Function	Value	Percent/Setting
	1	Dimmer	000 ó 255	0–100%
	2	Red	000 ó 255	0–100%
	3	Green	000 ó 255	0–100%
	4	Blue	000 ó 255	0–100%
	5	White	000 ó 255	0–100%

AR2.S	Channel	Function	Value	Percent/Setting
	1	Dimmer	000 ó 255	0–100%
	2	Red	000 ó 255	0–100%
	3	Green	000 ó 255	0–100%
	4	Blue	000 ó 255	0–100%
	5	White	000 ó 255	0–100%
	6	Strobe	000 ó 255	0–20 Hz

HSV	Channel	Function	Value	Percent/Setting
	1	Hue	000 ó 255	0–100%
	2	Saturation	000 ó 255	0–100%
	3	Value	000 ó 255	0–100%

DMX Values (Cont.)

TR16	Channel	Function	Value	Percent/Setting
	1	Dimmer	000 ó 255	0–100%
	2	Fine Dimmer	000 ó 255	Fine control (16-bit)
	3	Red	000 ó 255	0–100% (Step Duration if Custom 1–10 in CH. 13 is active)
	4	Fine Red	000 ó 255	Fine control (16-bit) (Fade Duration if Custom 1–10 in CH. 13 is active)
	5	Green	000 ó 255	0–100%
	6	Fine Green	000 ó 255	Fine control (16-bit)
	7	Blue	000 ó 255	0–100%
	8	Fine Blue	000 ó 255	Fine control (16-bit)
	9	White	000 ó 255	0–100%
	10	Fine White	000 ó 255	Fine control (16-bit)
	11	Color Macro + White Balance	000 ó 010	No function
			011 ó 030	R: 100% G: 0–100% B: 0
			031 ó 050	R: 100%–0 G: 100% B: 0
			051 ó 070	R: 0 G: 100% B: 0–100%
			071 ó 090	R: 0 G: 100%–0 B: 100%
			091 ó 110	R: 0–100% G: 0 B: 100%
			111 ó 130	R: 100% G: 0 B: 100%–0
			131 ó 150	R: 100% G: 0–100% B: 0–100%
			151 ó 170	R: 100%–0 G: 100%–0 B: 100%
			171 ó 200	R: 100% G: 100% B: 100% W: 100%
			201 ó 205	White 1
			206 ó 210	White 2
			211 ó 215	White 3
			216 ó 220	White 4
			221 ó 225	White 5
			226 ó 230	White 6
	231 ó 235	White 7		
	236 ó 240	White 8		
	241 ó 245	White 9		
	246 ó 250	White 10		
	251 ó 255	White 11		
	12	Strobe	000 ó 009	No function
			010 ó 255	0–20 Hz

DMX Values (Cont.)

TR16 (cont.)	Channel	Function	Value	Percent/Setting
	13	Programs	000 ó 040	No function
			041 ó 049	Auto 1
			050 ó 059	Auto 2
			060 ó 069	Auto 3
			070 ó 079	Auto 4
			080 ó 089	Auto 5
			090 ó 099	Auto 6
			100 ó 109	Auto 7
			110 ó 119	Auto 8
			120 ó 129	Auto 9
			130 ó 139	Auto 10
			140 ó 149	Custom 1
			150 ó 159	Custom 2
			160 ó 169	Custom 3
			170 ó 179	Custom 4
			180 ó 189	Custom 5
			190 ó 199	Custom 6
200 ó 209	Custom 7			
210 ó 219	Custom 8			
220 ó 229	Custom 9			
230 ó 255	Custom 10			
14	Auto Speed	000 ó 255	0–100% (only when using Auto 1–10 in CH. 13)	
15	Dimmer Speed	000 ó 009	Preset dimmer speed from display menu	
		010 ó 029	Linear dimmer	
		030 ó 069	Nonlinear dimming curve 1 (fastest)	
		070 ó 129	Nonlinear dimming curve 2	
		130 ó 189	Nonlinear dimming curve 3	
190 ó 255	Nonlinear dimming curve 4 (slowest)			
16	Zoom	000 ó 255	0–100%	
17	Zoom Reset	000 ó 200	No function	
		201 ó 220	Zoom reset	
		221 ó 255	No function	

AR2.Z	Channel	Function	Value	Percent/Setting
	1	Dimmer	000 ó 255	0–100%
	2	Red	000 ó 255	0–100%
	3	Green	000 ó 255	0–100%
	4	Blue	000 ó 255	0–100%
	5	White	000 ó 255	0–100%
	6	Zoom	000 ó 255	0–100%
	7	Zoom Reset	000 ó 200	No function
			201 ó 220	Zoom reset
			221 ó 255	No function

DMX Values (Cont.)

STD.Y	Channel	Function	Value	Percent/Setting
	1	Dimmer	000ó 255	0–100%
	2	Fine Dimmer	000ó 255	Fine control (16-bit)
	3	Red	000ó 255	0–100% (Step Duration if Custom 1–10 in CH. 13 is active)
	4	Fine Red	000ó 255	Fine control (16-bit) (Fade Duration if Custom 1–10 in CH. 13 is active)
	5	Green	000ó 255	0–100%
	6	Fine Green	000ó 255	Fine control (16-bit)
	7	Blue	000ó 255	0–100%
	8	Fine Blue	000ó 255	Fine control (16-bit)
	9	White	000ó 255	0–100%
	10	Fine White	000ó 255	Fine control (16-bit)
	11	Color Macro + White Balance	000ó 010	No function
			011ó 030	R: 100% G: 0–100% B: 0
			031ó 050	R: 100%–0 G: 100% B: 0
			051ó 070	R: 0 G: 100% B: 0–100%
			071ó 090	R: 0 G: 100%–0 B: 100%
			091ó 110	R: 0–100% G: 0 B: 100%
			111ó 130	R: 100% G: 0 B: 100%–0
			131ó 150	R: 100% G: 0–100% B: 0–100%
			151ó 170	R: 100%–0 G: 100%–0 B: 100%
			171ó 200	R: 100% G: 100% B: 100% W: 100%
			201ó 205	White 1
			206ó 210	White 2
			211ó 215	White 3
			216ó 220	White 4
			221ó 225	White 5
			226ó 230	White 6
	231ó 235	White 7		
	236ó 240	White 8		
	241ó 245	White 9		
	246ó 250	White 10		
	251ó 255	White 11		
	12	Strobe	000ó 009	No function
			010ó 255	0–20 Hz

DMX Values (Cont.)

STD.Y (cont.)	Channel	Function	Value	Percent/Setting
	13	Programs	000 ó 040	No function
			041 ó 049	Auto 1
			050 ó 059	Auto 2
			060 ó 069	Auto 3
			070 ó 079	Auto 4
			080 ó 089	Auto 5
			090 ó 099	Auto 6
			100 ó 109	Auto 7
			110 ó 119	Auto 8
			120 ó 129	Auto 9
			130 ó 139	Auto 10
			140 ó 149	Custom 1
			150 ó 159	Custom 2
			160 ó 169	Custom 3
			170 ó 179	Custom 4
			180 ó 189	Custom 5
			190 ó 199	Custom 6
			200 ó 209	Custom 7
			210 ó 219	Custom 8
			220 ó 229	Custom 9
230 ó 255	Custom 10			
	14	Auto Speed	000 ó 255	0–100% (only when using Auto 1–10 in CH. 13)
	15	Dimmer Speed	000 ó 009	Preset dimmer speed from display menu
			010 ó 029	Linear dimmer
			030 ó 069	Nonlinear dimming curve 1 (fastest)
			070 ó 129	Nonlinear dimming curve 2
			130 ó 189	Nonlinear dimming curve 3
190 ó 255	Nonlinear dimming curve 4 (slowest)			
	16	Zoom	000 ó 255	0–100%
	17	Zoom Reset	000 ó 200	No function
			201 ó 220	Zoom reset
			221 ó 255	No function

5. TECHNICAL INFORMATION

Product Maintenance

To maintain optimum performance and minimize wear, you should clean this product frequently. Usage and environment are contributing factors in determining the cleaning frequency.

As a rule, clean this product at least twice a month. Dust build-up reduces light output performance and can cause overheating. This can lead to reduced light source life and increased mechanical wear.

To clean your product:

1. Unplug the product from power.
2. Wait until the product is at room temperature.
3. Use a vacuum (or dry compressed air) and a soft brush to remove dust collected on the external vents.
4. Clean all external surfaces with a mild solution of non-ammonia glass cleaner or isopropyl alcohol.
5. Apply the solution directly to a soft, lint-free cotton cloth or a lens cleaning tissue.
6. Wipe any dirt or grime to the outside edges of the lens surface.
7. Gently polish the lens surfaces until they are free of haze and lint.



Always dry the external surfaces thoroughly and carefully after cleaning them.

6. TECHNICAL SPECIFICATIONS

Dimensions and Weight	Length	Width	Height	Weight
	11.1 in (283 mm)	9.3 in (236 mm)	13.8 in (348 mm)	18.2 lb (8.7 kg)
Note: Dimensions in inches rounded to the nearest decimal digit.				
Power	Power Supply Type	Range	Voltage Selection	
	Switching (internal)	100–240 VAC, 50/60 Hz	Auto-ranging	
Light Source	Parameter	120 VAC, 60 Hz	230 VAC, 50 Hz	
	Consumption	206 W	217 W	
	Current	1.80 A	0.94 A	
	Power linking current (products)	13.6 A (7 products)	13.6 A (14 products)	
	Power I/O	U.S./Canada	Worldwide	
	Power input connector	Hardwired	Hardwired	
	Power output connector	IP66	IP66	
	Power cord plug	Edison (U.S.)	Local plug	
	Type	Power	Lifespan	
	LED	15 W	50,000 hours	
Photo Optic	Color	Quantity	Current	
	Quad-color (RGBW)	14	985 mA	
	Parameter	Standard Optics		
Thermal	Illuminance @ 5 m (6°)	8,000 lux		
	Illuminance @ 5 m (30°)	695 lux		
	Beam angle	6° to 30°		
	Field angle	11° to 43°		
DMX	Max. External Temperature	Cooling System		
	113 °F (45 °C)	Convection		
Ordering	I/O Connectors	Connector Type	Channel Range	
	5-pin XLR	Sockets	3, 4, 5, 6, 7, 12 or 17	
Ordering	Product Name	Item Code	UPC Number	
	COLORado™ 2-Quad Zoom IP	01030848	781462211967	



UL 1573
 CSA C22.2 No. 166
 E113093

Returns You must send the product prepaid, in the original box, and with the original packing and accessories. Chauvet will not issue call tags.

Call Chauvet and request a Return Merchandise Authorization (RMA) number before shipping the product. Be prepared to provide the model number, serial number, and a brief description of the cause(s) for the return.

Clearly label the package with an RMA number. Chauvet will refuse any product returned without an RMA number.



DO NOT write the RMA number directly on the box. Instead, write it on a properly affixed label.

Once you have received the RMA number, include the following information on a piece of paper inside the box:

- Your name
- Your address
- Your phone number
- The RMA number
- A brief description of the problem(s)

Be sure to pack the product properly. Any shipping damage resulting from inadequate packaging will be the customer's responsibility. FedEx packing or double-boxing is recommended.



Chauvet reserves the right to use its own discretion to repair or replace returned product(s).

CONTACT Us

WORLD HEADQUARTERS - Chauvet

General Information

Address: 5200 NW 108th Avenue
Sunrise, FL 33351

Voice: (954) 577-4455

Fax: (954) 929-5560

Toll free: (800) 762-1084

Technical Support

Voice: (954) 577-4455 (Press 4)

Fax: (954) 756-8015

Email: tech@chauvetlighting.com

World Wide Web www.chauvetlighting.com

UNITED KINGDOM AND IRELAND - Chauvet Europe Ltd.

General Information

Address: Unit 1C
Brookhill Road Industrial Estate
Pinxton, Nottingham, UK
NG16 6NT

Voice: +44 (0)1773 511115

Fax: +44 (0)1773 511110

Technical Support

Email: uktech@chauvetlighting.com

World Wide Web www.chauvetlighting.co.uk

MEXICO - Chauvet Mexico

General Information

Address: Av. Santa Ana 30
Parque Industrial Lerma
Lerma, Mexico C.P. 52000

Voice: +52 (728) 285-5000

Technical Support

Email: servicio@chauvet.com.mx

World Wide Web www.chauvet.com.mx

Outside the U.S., United Kingdom, Ireland, or Mexico, contact the dealer of record. Follow their instructions to request support or to return a product. Visit our website for contact details.