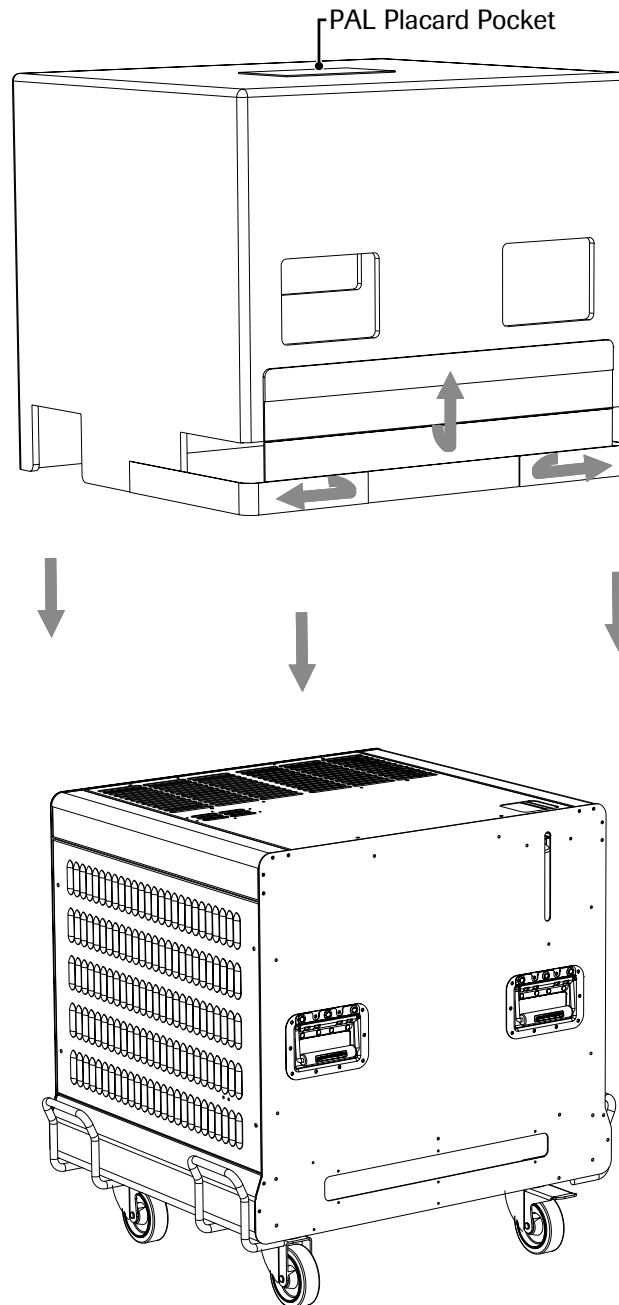


# Softcover Instructions

## For JEM™ Glaciator™ Dynamic low-fog effect machine

The Glaciator Softcover is a custom protective cover for the JEM Glaciator Dynamic constructed of reinforced heavy duty black PVC, 12 mm internal padding and finished internally with brushed nylon. The Softcover is screen printed with the product name and features a clear PAL placard pocket. The softcover features a convenient hook and loop fastener system for easy deployment and will protect the Glaciator from the rigors of transit in the touring industry. A bump-out compartment allows the optional ducting adapter to remain affixed to the machine and remain protected during transit.



Information subject to change without notice. Harman Professional Denmark ApS disclaims liability for any injury, damage, direct or indirect loss, consequential or economic loss or any other loss occasioned by the use of, inability to use or reliance on the information contained in this document.

©2018 Harman Professional Denmark ApS. All rights reserved. Martin® is a registered trademark of Harman Professional Denmark ApS registered in the United States and/or other countries. Features, specifications, and appearance are subject to change without notice.

Harman Professional Denmark ApS • Olof Palmes Allé 18 • 8200 Aarhus N • Denmark  
<http://www.martin.com>

PN: 35011538 • Document Revision: A